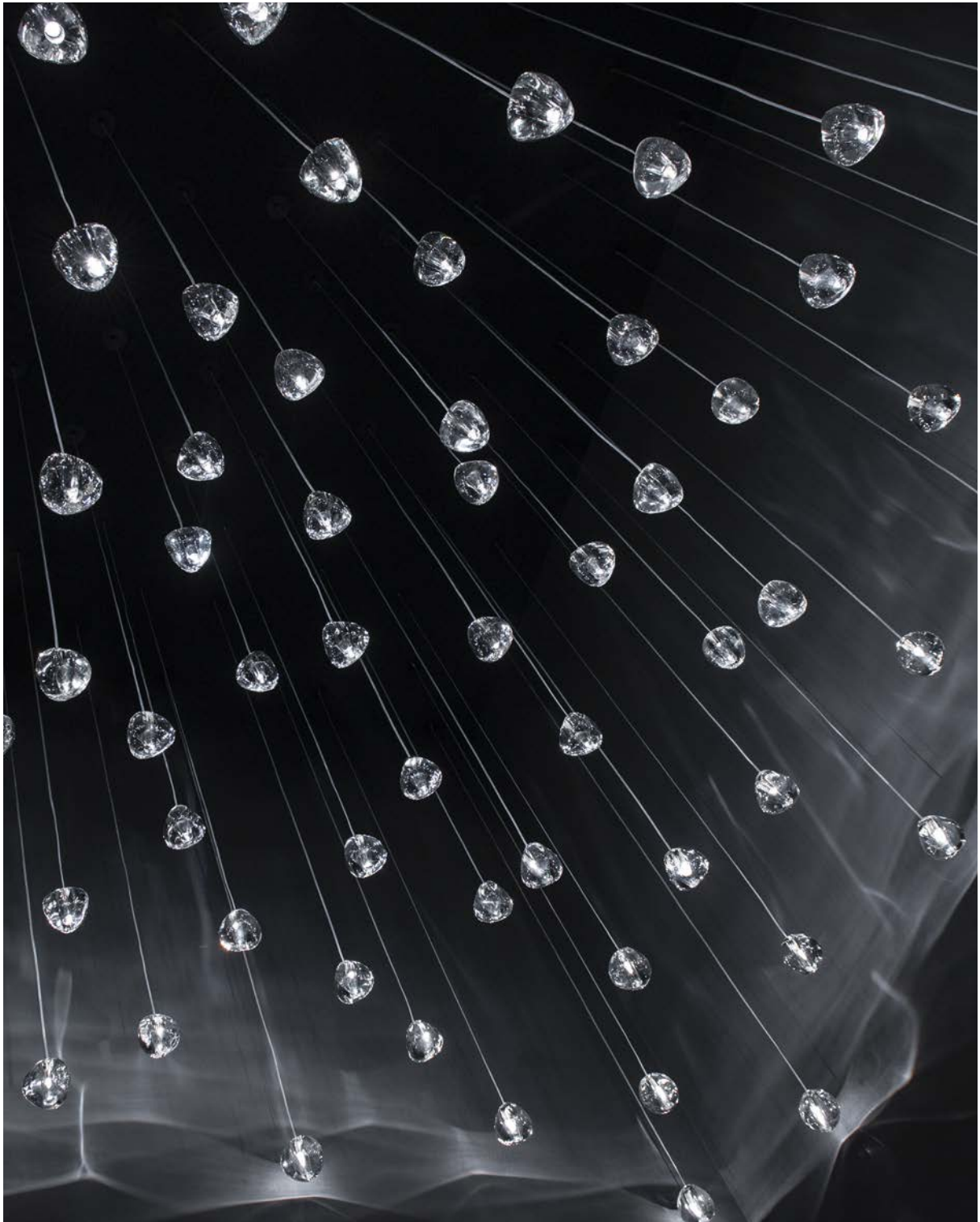
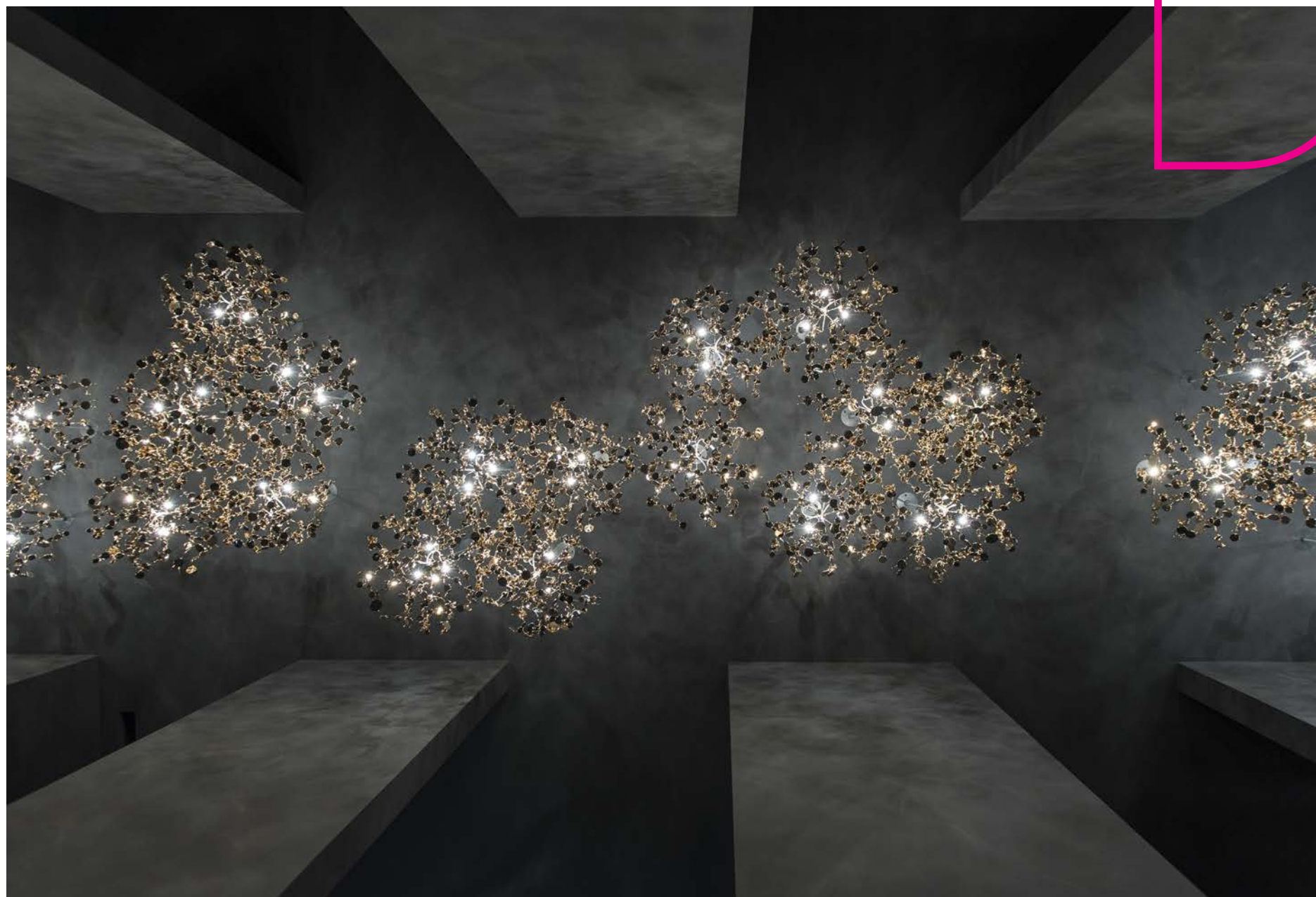


when
light
meets
art

TERZANI
LA LUCE PENSATA



Precious Design



Terzani's Precious Design Concept is luxury evolved. Each piece in this new lighting collection breaks the staid boundaries of traditional luxury, and incorporates stunningly modern design, cutting-edge technology, artisan craftsmanship and precious materials.

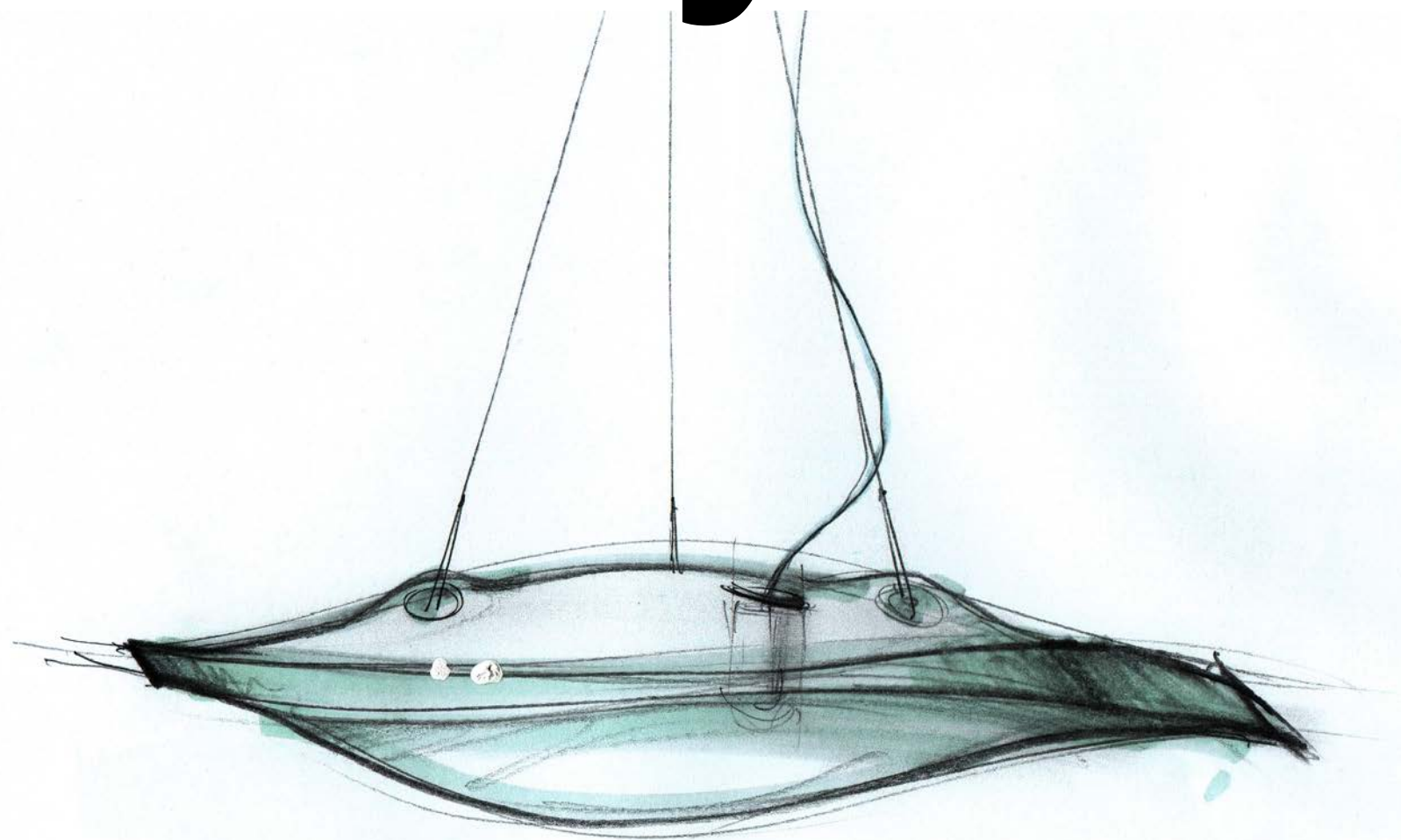
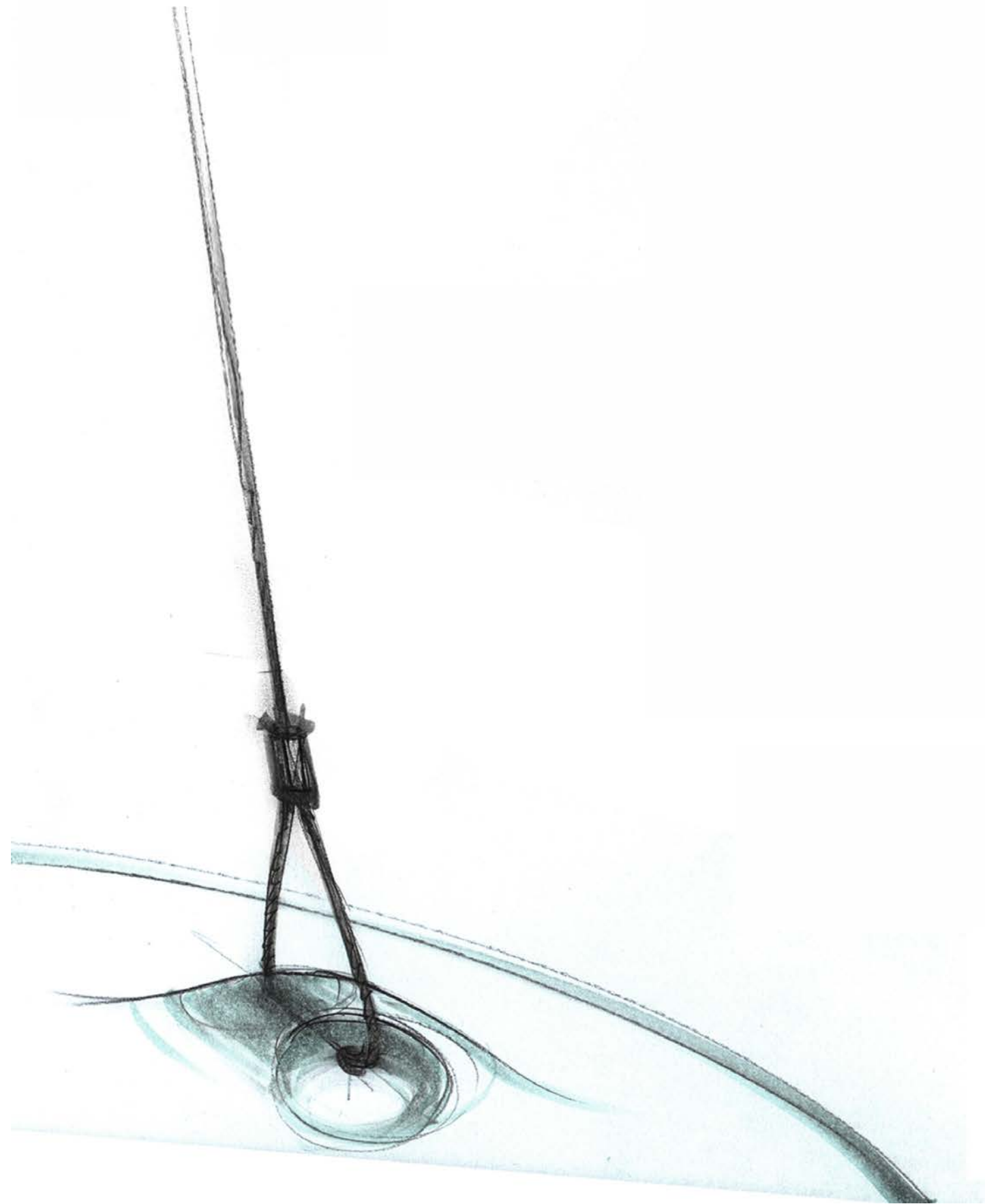
When light meets art

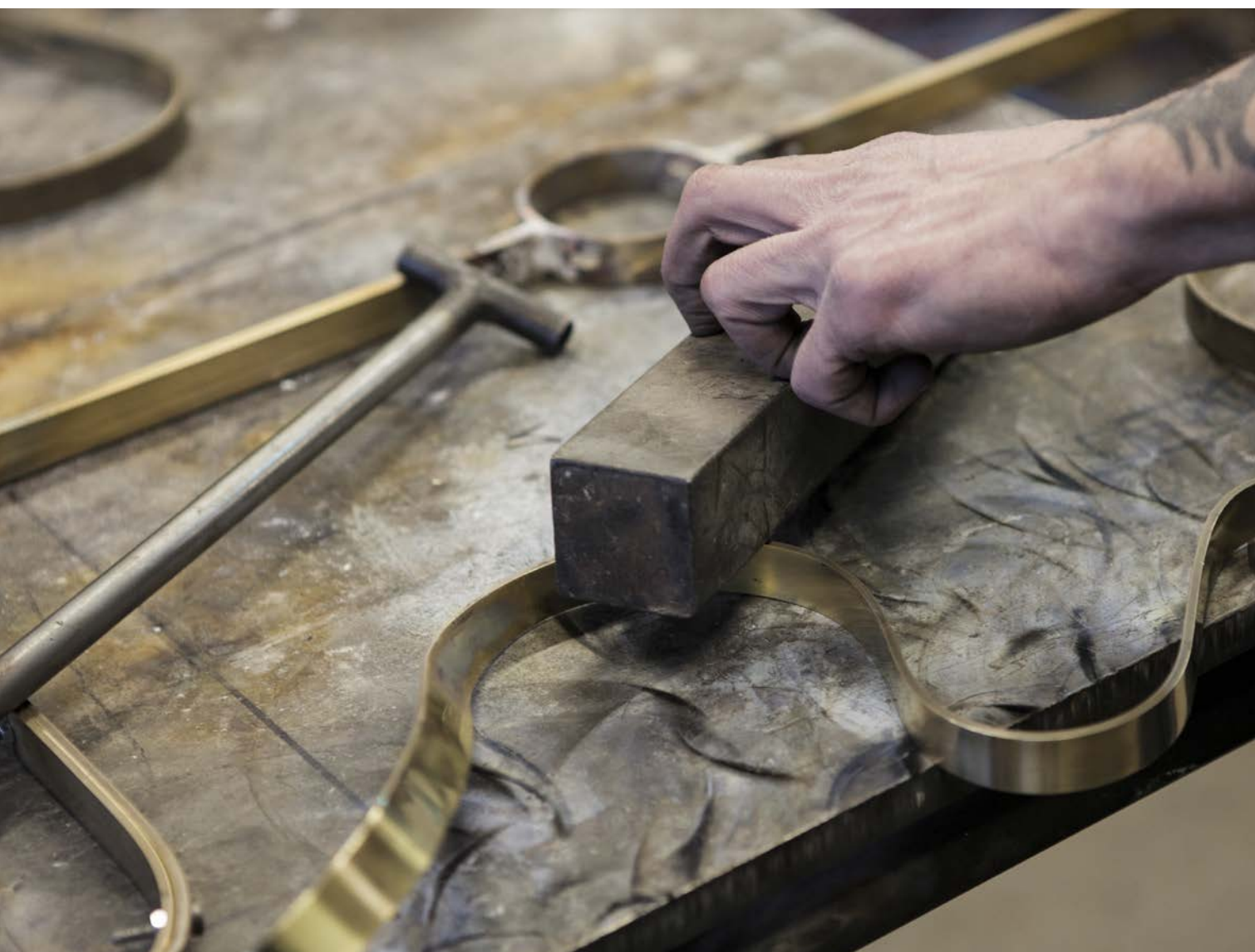
The result are sculptures of light whose illumination transforms spaces through dynamic lighting and shadow effects. They create a new visual language of what luxury is, one that reflects both today's aesthetics, architecture and design traditions yet also pushes towards the future.

Index

224 Abacus
334 Angel Falls
340 Anish
128 Argent
024 Argen, mon bijou
070 Atlantis
324 Calle
298 Core
264 Doodle
060 Epoque
370 Etoile
314 Frame
206 Gaia
378 Glamour
348 G.r.a
308 Iceberg
282 I Lucci Argentati
386 Magdalena
194 Manta
160 Mizu
254 Moiré
358 Orten'zia
244 Oscar
218 Pug
120 Soscik
046 Stanley
094 Stream
106 Volver
390 Wabi

crea-
tivity



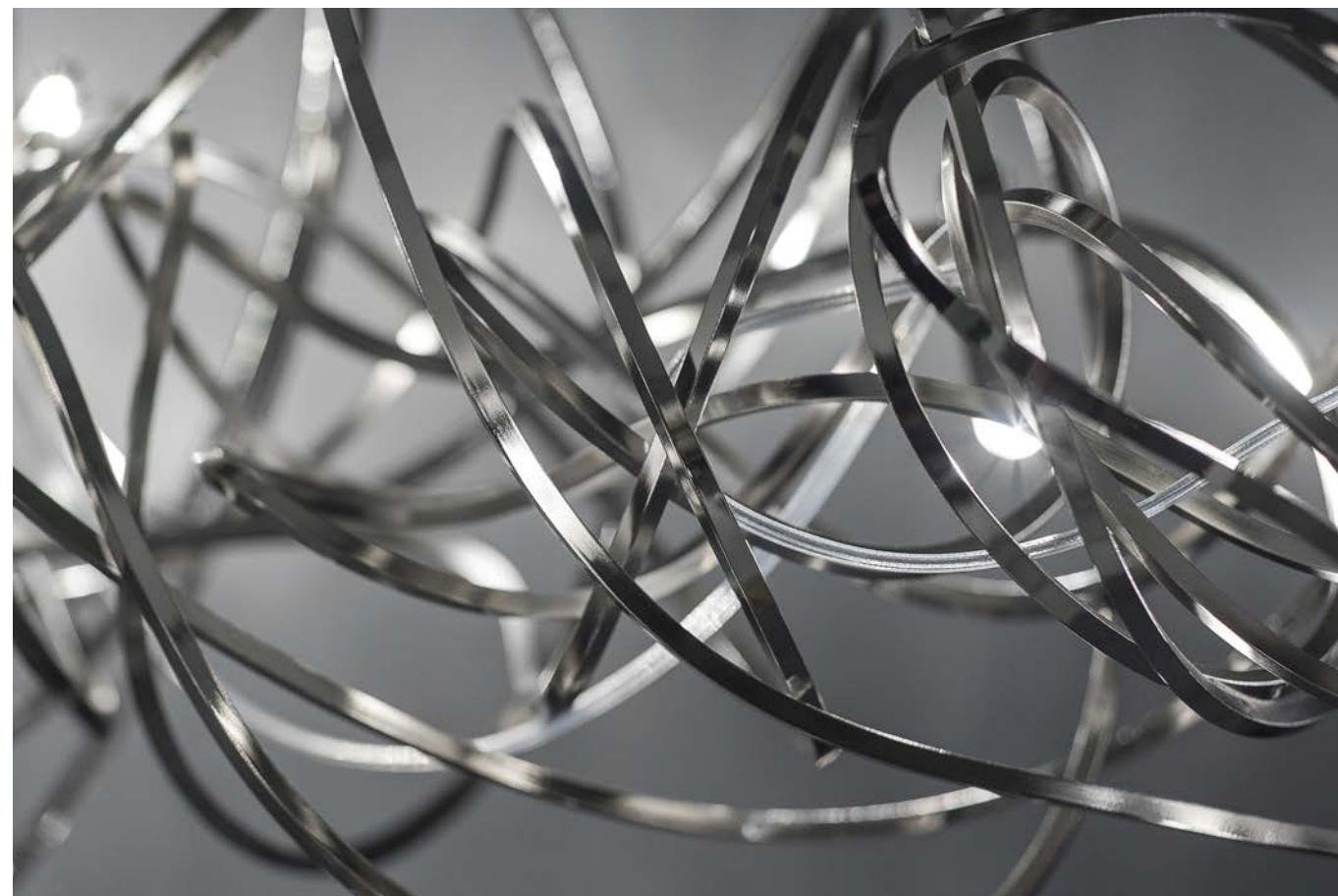


herit- age





sculp-
tural



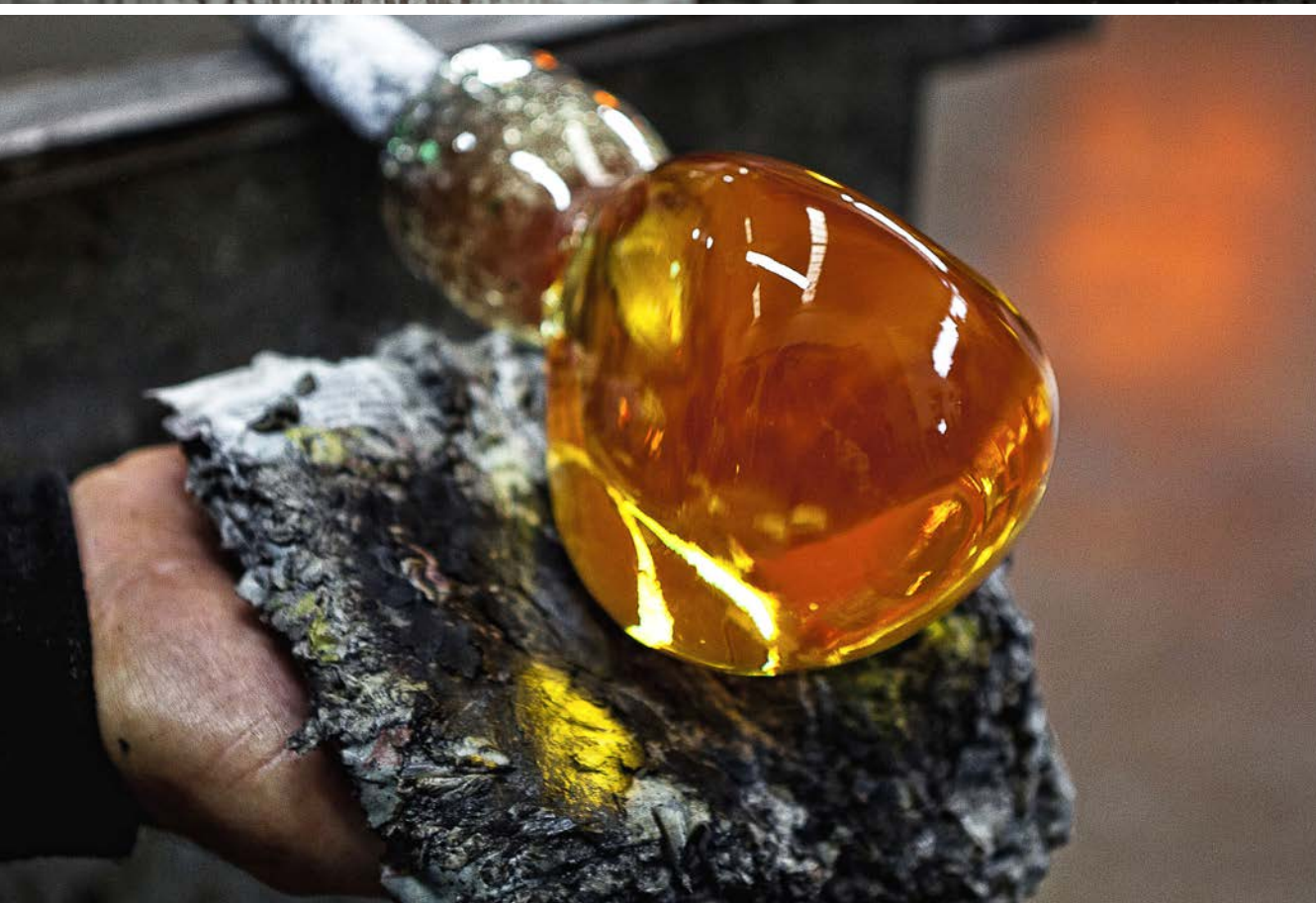


**contem-
porary**



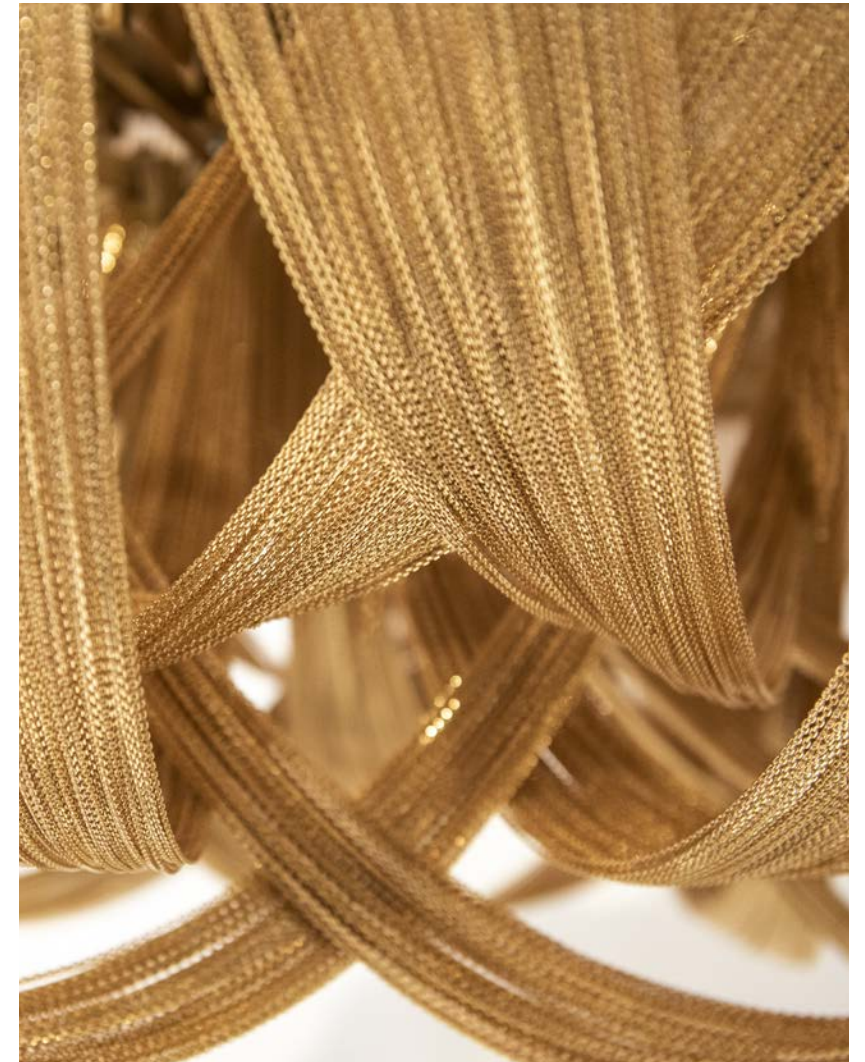


hand-
made



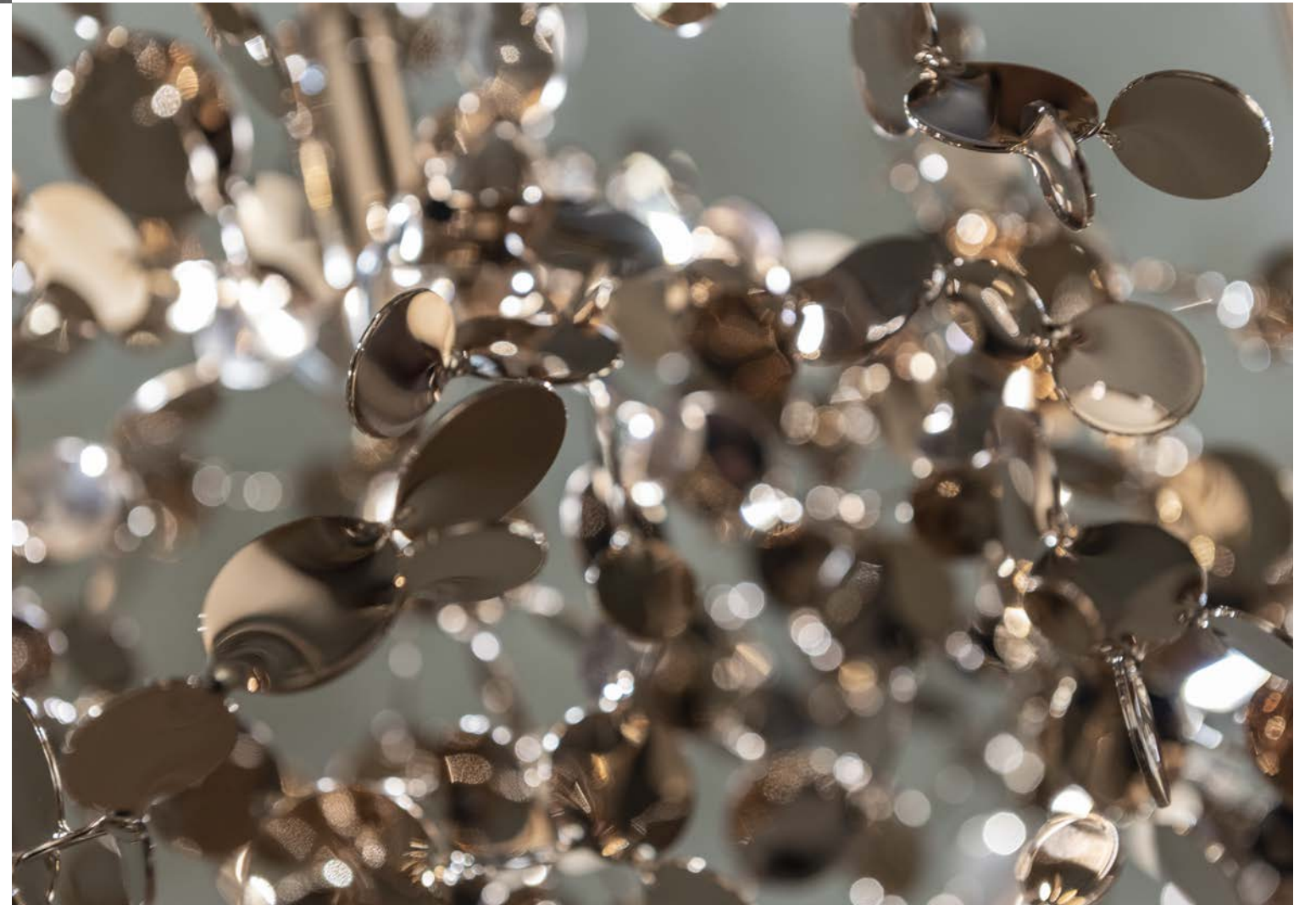


ele-
gan-
ce





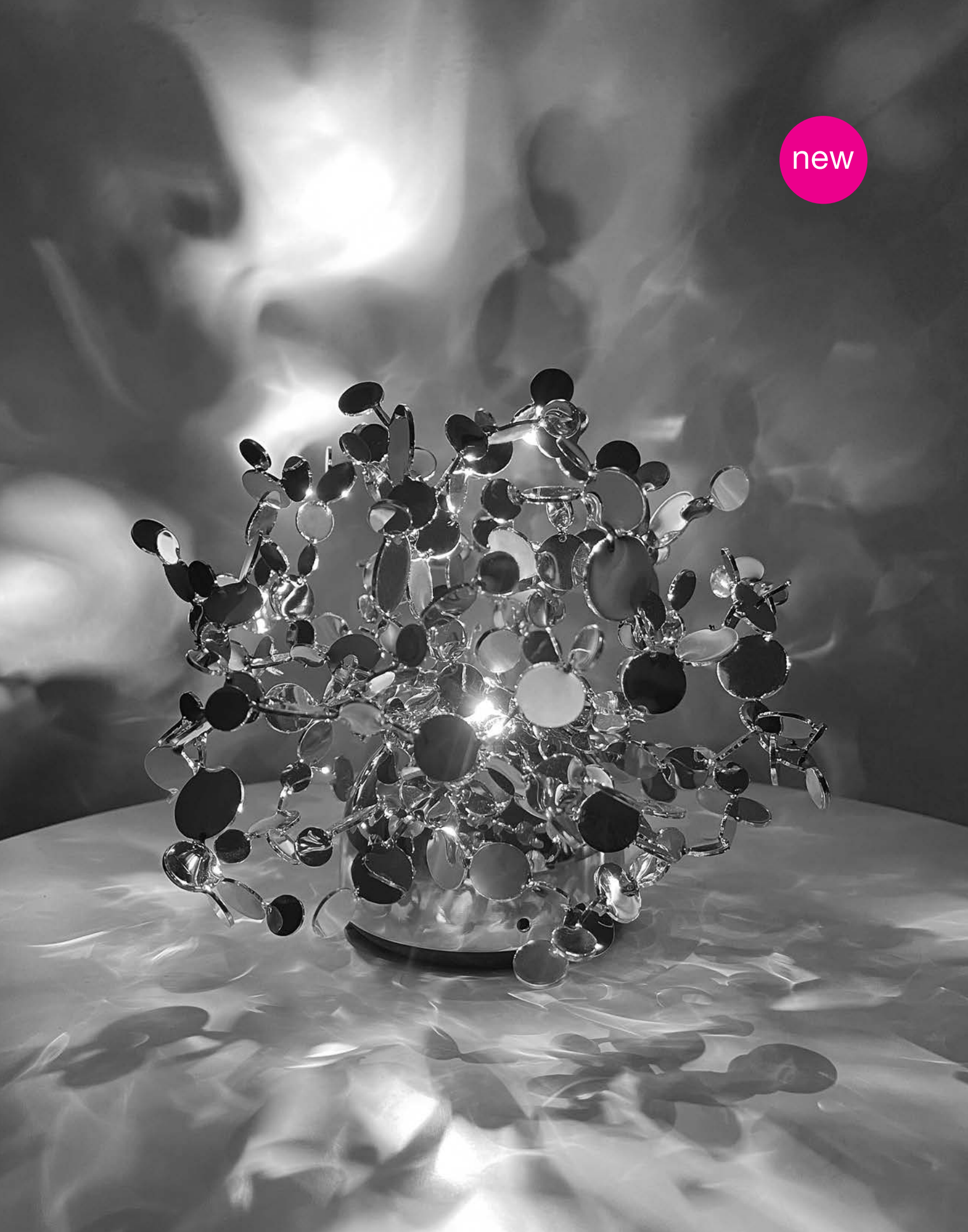
e-
motion







Argent, mon bijou | design Dodo Arslan



new





Lisa Licitra Ponti

Gio Ponti

FRANK LLOYD WRIGHT
/ CAPOLAVORI



Our newest addition to our Argent collection, Argent, mon bijou lets you take designer Dodo Arslan's iconic light sculpture with you wherever you go. Thanks to an innovative, rechargeable, and cordless technology, and a smaller, lightweight design, mon bijou is an elegant portable lighting solution. Like the other entries in our Argent collection, mon bijou is constructed of metal discs that have been meticulously joined by hand by Terzani's Italian craftsmen. Once lit, the multiple, angled surfaces of the discs emanate a soft, shimmering glow.

Take me wherever you want. Make mon bijou the centerpiece for a sophisticated dinner. Relax on your sofa as you bathe in its enchanting light. Or place it on your bedside table to spark romance. Regardless of whether you're entertaining or just looking to enhance your space, mon bijou makes it easy to quickly change the mood no plugs or wires needed.

Argent, mon bijou is available in stainless steel, gold plated, rose gold plated, and champagne plated finishes. Design Dodo Arslan.

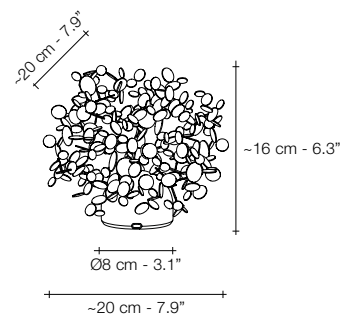


EVERYDAY LIFE









N88B



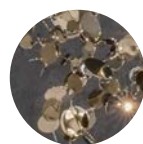
STAINLESS
STEEL



GOLD
PLATED |
PVD COATING



ROSE GOLD
PLATED |
PVD COATING



CHAMPAGNE
PLATED |
PVD COATING

LIGHT SOURCE

N88B



Replaceable
LED module
3000K

1,4W
max
210 lm

120V | 230V

Integrated 4 steps dimmer





Stanley, journey beyond the stars | design Dodo Arslan

new

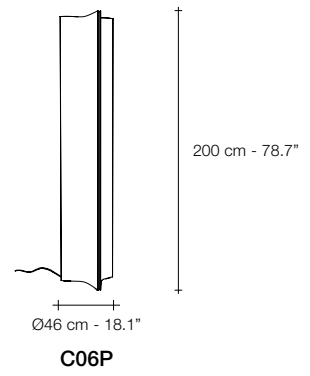







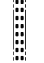
Capturing the mystery, power, and wonder of the stars, this new floor lamp from Dodo Arslan conjures the natural beauty of space and mankind's fascination with the heavens. Blades of crystalline light travel through a field of stars, creating a deep, rich, and nuanced viewing experience. Stanley's multiple perspectives create a cosmic vision with infinite depth. An homage to the genius of Stanley Kubrick and his masterpiece, *2001: A Space Odyssey*, Arslan's design aims to open doors to new galaxies. Through recreating the mysteries of our universe, Stanley captures the sense of awe that continues to compel artists, scientists, and dreamers to look to the sky for answers and inspiration. Staying in accordance with the vibrancy of space, Stanley offers a series of chromatic variations which can be customized creating a unique, tonal experience. Design Dodo Arslan.





LIGHT SOURCE

120V | 230V

 Top:
 Integrated replaceable LED | 21W | 2875 lm
 +
 Edges:
 Integrated replaceable LED | 3x39W | 12875 lm
 Total 138W | 15750 lm | 3000K | CRI>80

Casambi technology | Xpress wireless switch
 Each light source can be dimmed independently or in programmable groups.
 Light sources are replaceable.



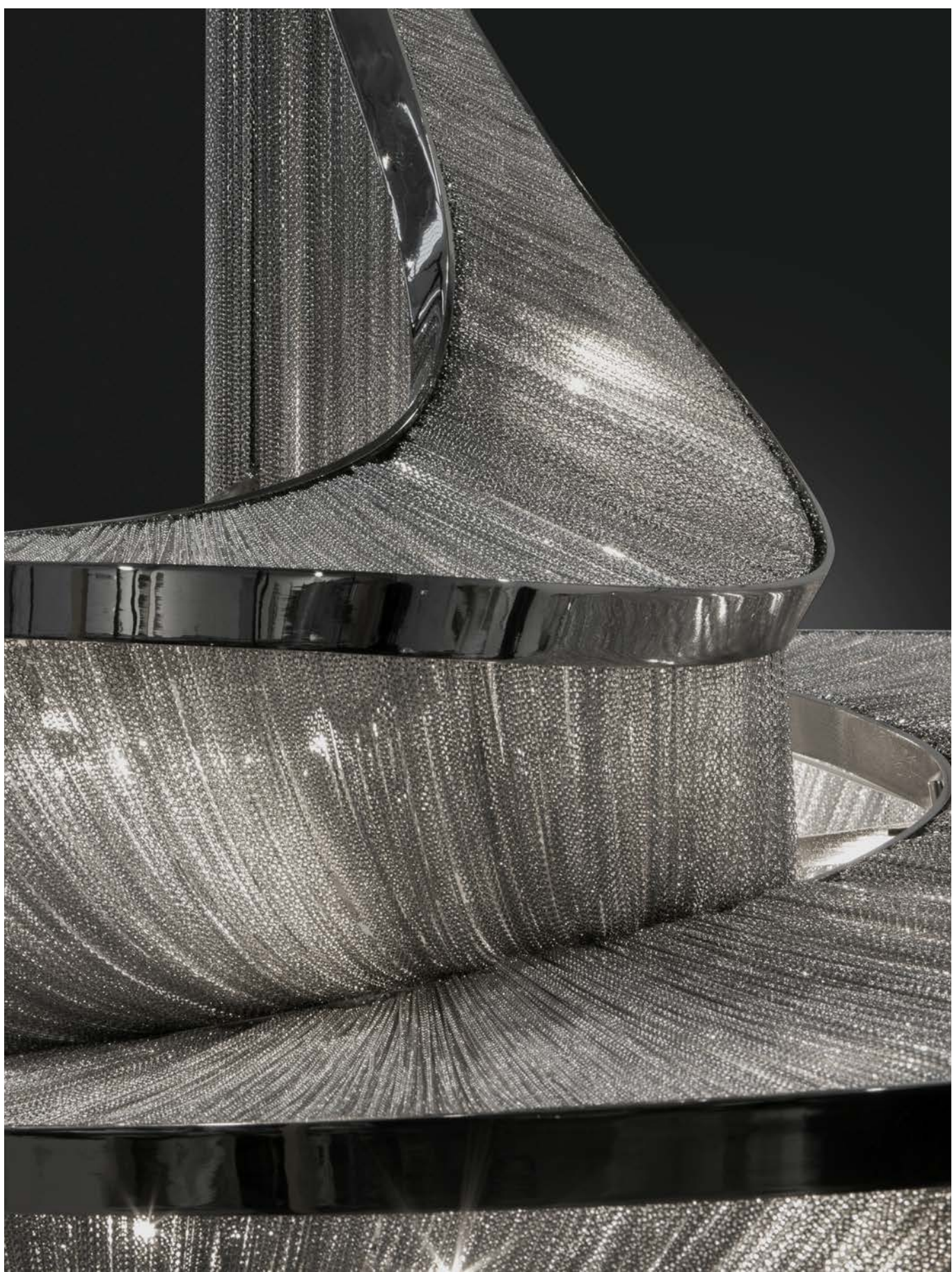
Collections

Epoque, Cyclical *Light.*

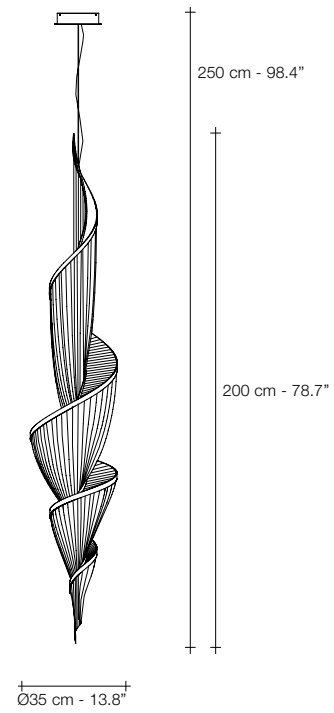
Epoque is a light sculpture designed to study chiaroscuro and volumes. The result is a modern expression of these renaissance-era techniques in a stunning chandelier. Composed of curved, organic lines, Epoque's frame is made of flexible and durable brass metal, suspended by metal chains. Two bands of metal, a central elongated section and an external band of wide arcs, allows the light to envelop a room in reflections of soft light. Epoque has attracted attention from those in the design community with discerning tastes. Epoque is available in nickel, black nickel, bronze and gold finish. Design Stefano Papi & Saviz Yaghmai.




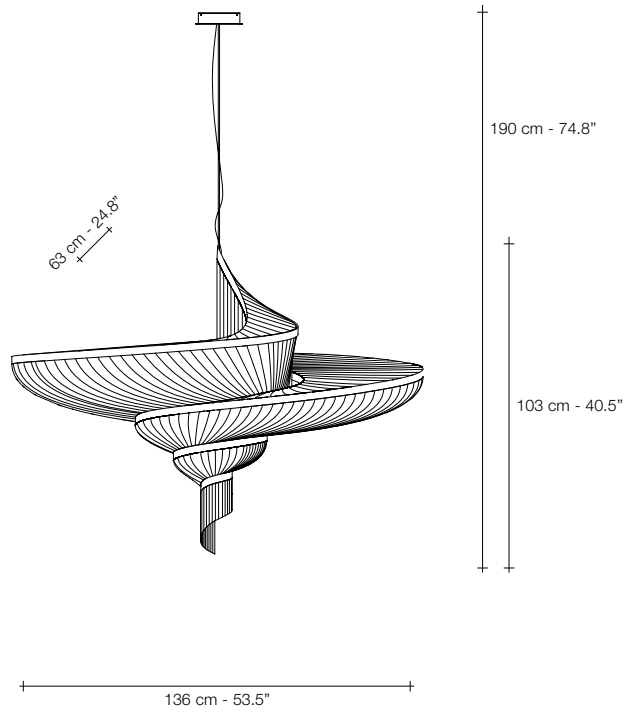









G91S 



G90S 



NICKEL PLATED



BLACK NICKEL PLATED



BRUSHED BRONZE



GOLD PLATED

	LIGHT SOURCE	G91S	G90S
230V	Replaceable LED module	12x2,1W	20x2,1W
	3000K	2328 lm	3880 lm
	2700K	2064 lm	3440 lm
	Dimmable	0/1-10V PUSH/DALI	PUSH DALI
120V	Replaceable LED module	12x2,1W	20x2,1W
	3000K	2328 lm	3880 lm
	2700K	2064 lm	3440 lm
	Dimmable	0/1-10V PUSH/DALI	1-10V PWM 10-100kΩ

Epoque available with integrated LED 3000K or 2700K. Different dimming options on request.



Atlantis, a precious *wave.*

Seemingly alive, Atlantis' shimmering light creates a vibrant source of energy. Its mesmerizing, organic effect is created by hundreds of illuminated lengths of draped chains. Like water in the ocean, Atlantis' chains appear liquid, cascading over its gloss bands and falling down towards the abyss before turning back into itself. Atlantis is composed of almost three miles of chain, meticulously hand-crafted by master italian artisans. Design Barlas Baylar.

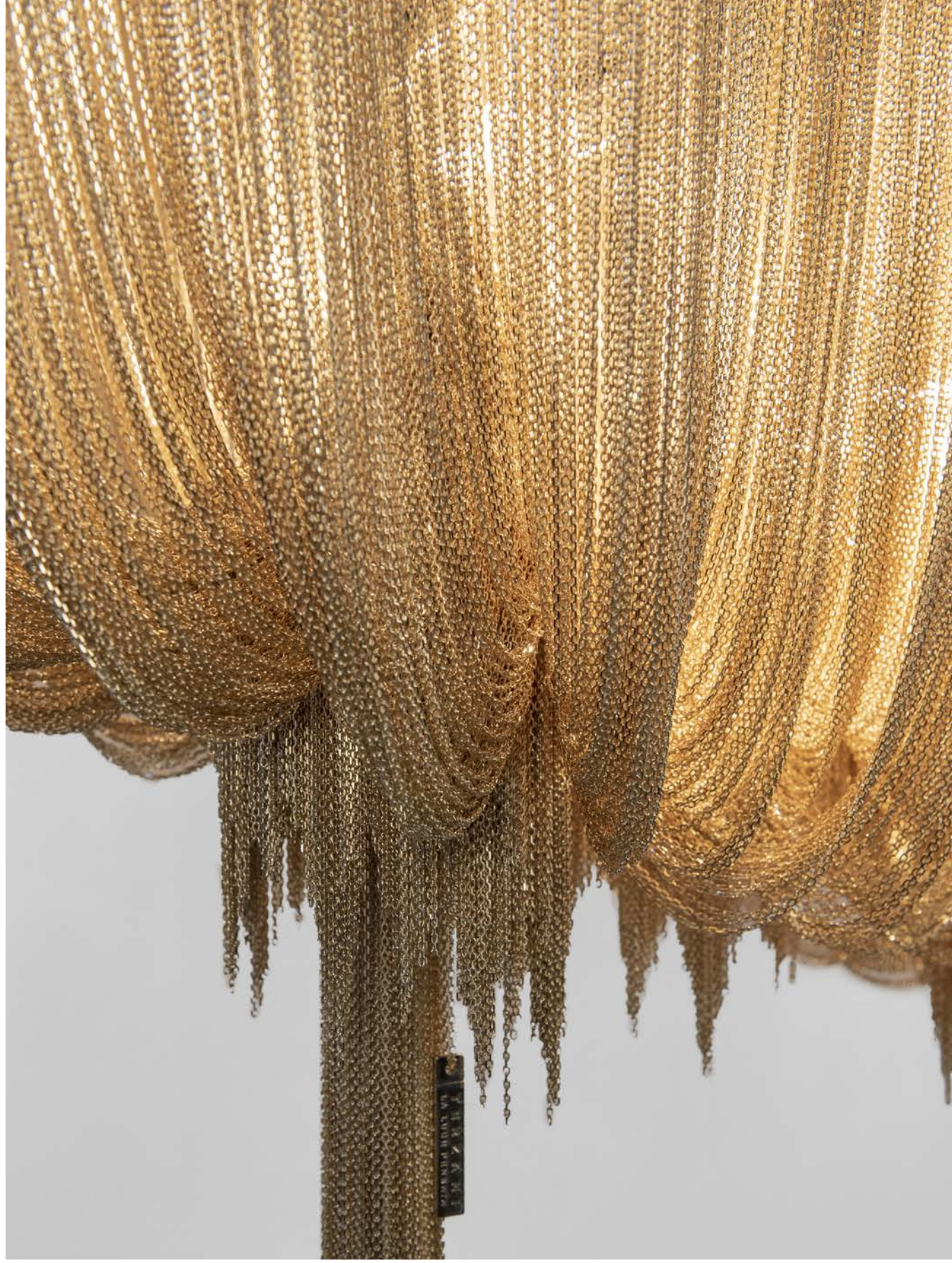






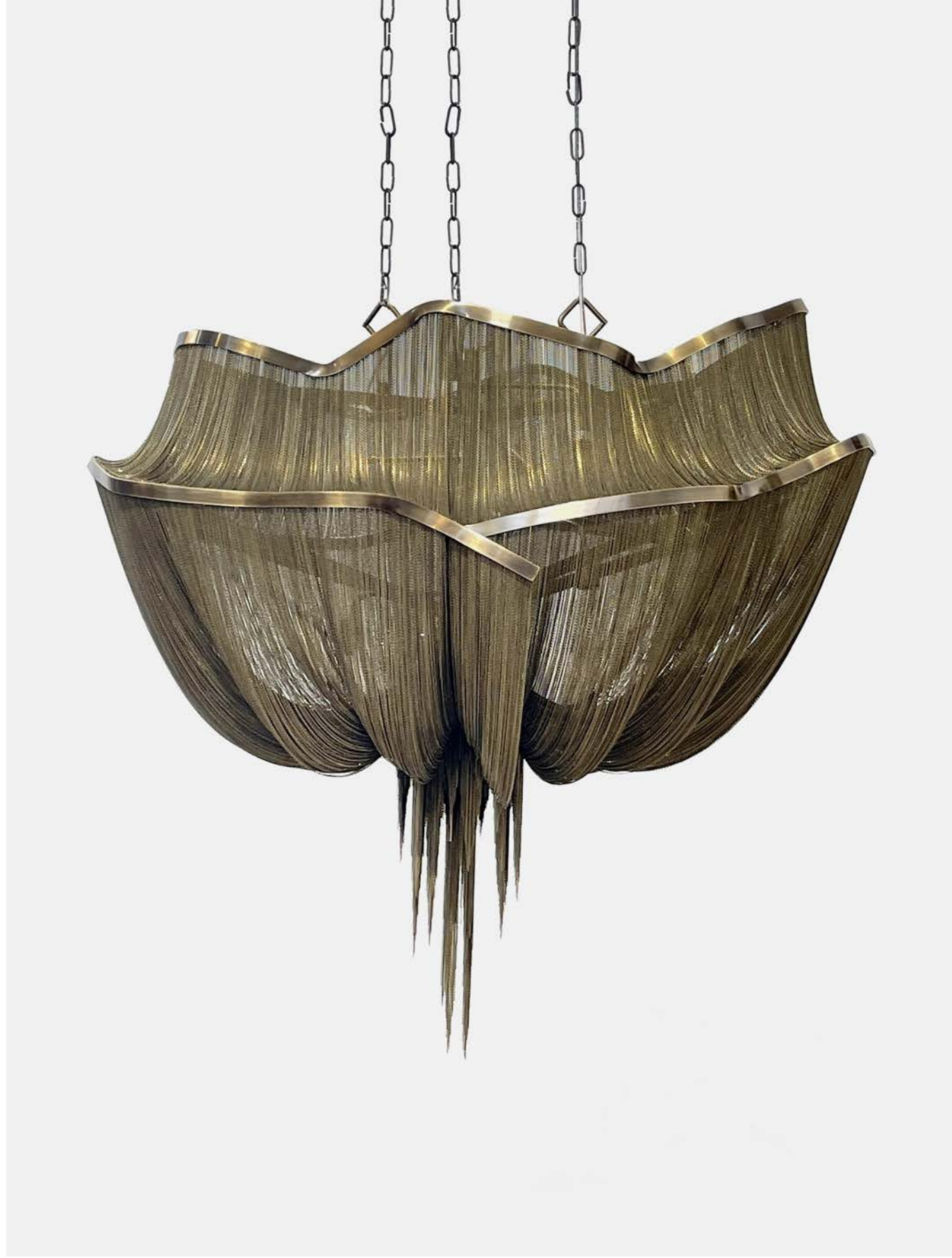




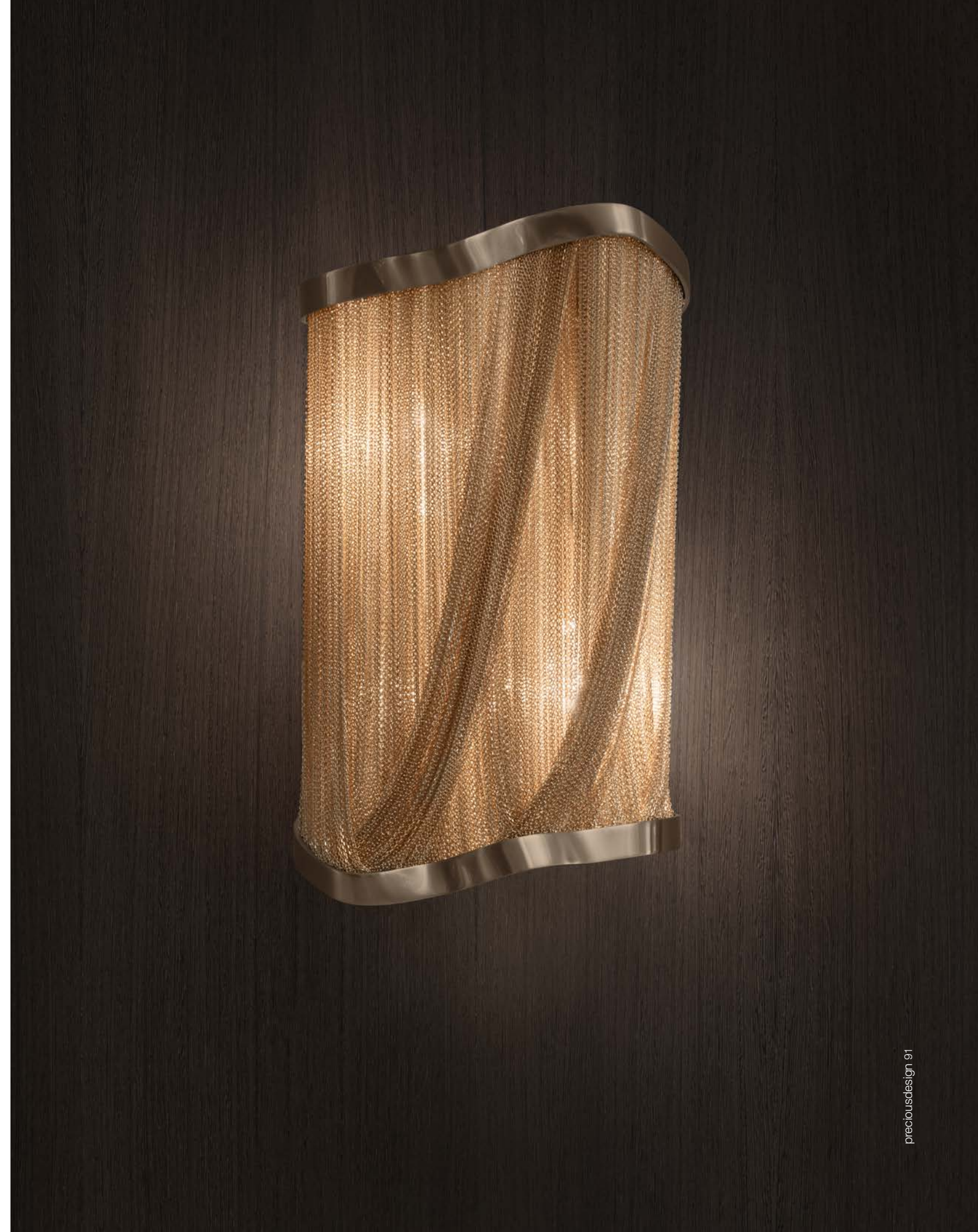


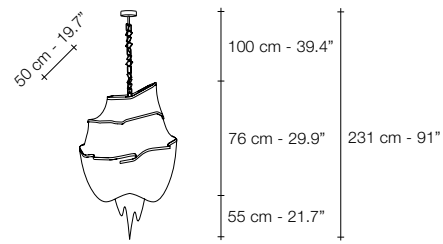






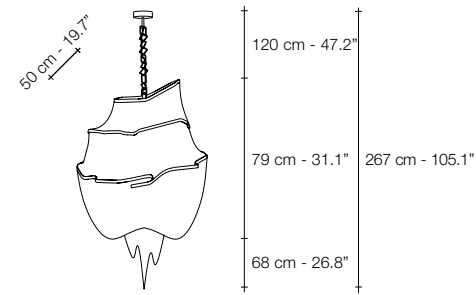






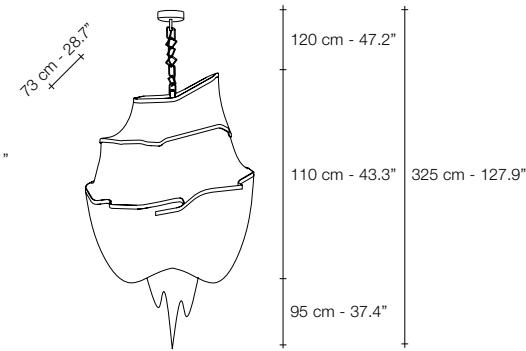
50 cm - 19.7"

A13S



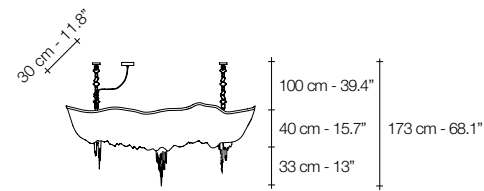
65 cm - 25.6"

A14S



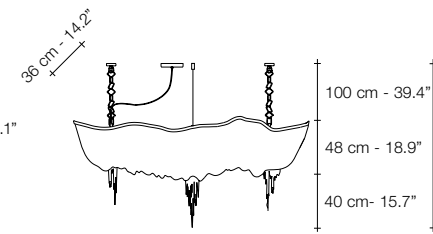
90 cm - 35.4"

A15S



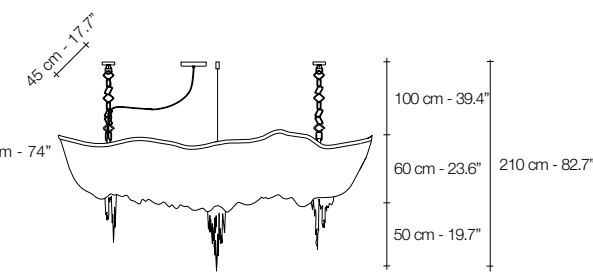
150 cm - 59.1"

A18S



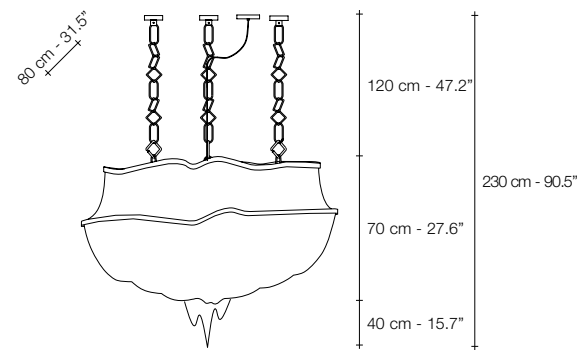
200 cm - 78.7"

A17S

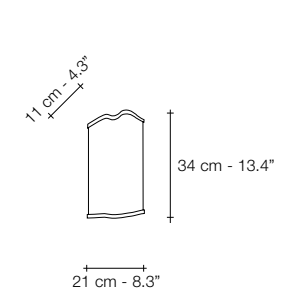


250 cm - 98.4"

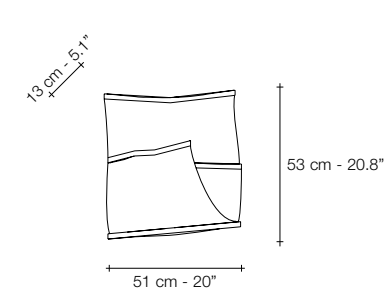
A16S



J01S



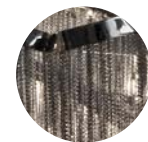
J04A



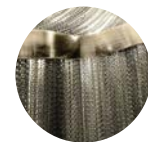
J03A



NICKEL PLATED



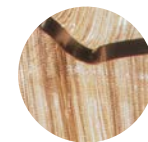
BLACK NICKEL PLATED



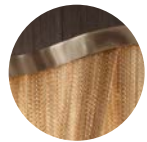
BRUSHED BRONZE



GOLD PLATED



CHAMPAGNE PLATED



BRUSHED CHAMPAGNE PLATED

	LIGHT SOURCE	A13S	A14S	A15S	A18S	A17S	A16S	J01S	J04A	J03A
230V	E14 LED	6x6W	8x6W	8x6W	8x6W	10x6W	10x6W	8x6W	2x6W	4x6W
	Dimmable	✓	✓	✓	✓	✓	✓	✓	✓	✓
120V	E12 LED	6x5.5W	8x5.5W	8x5.5W	8x5.5W	10x5.5W	10x5.5W	10x5.5W	2x5.5W	4x5.5W
	Dimmable	✓	✓	✓	✓	✓	✓	✓	✓	✓



Stream, Iridescent *Light.*

Another stunning design from Christian Lava, Stream is an impressive presence in any room. Like Christian's other work for Terzani, Etoile, Stream's design exploits the physical characteristics of the materials used to envelop a room in a unique, immersive light. Here, over seven kilometers of metal chain appear to flow down from the undulating, plated frame. These cascading tiers project a streaking, yet tranquil, shadow throughout the room. Design Christian Lava.

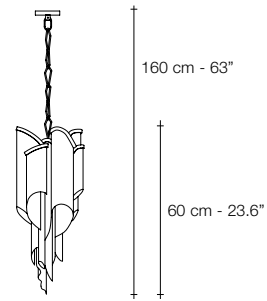






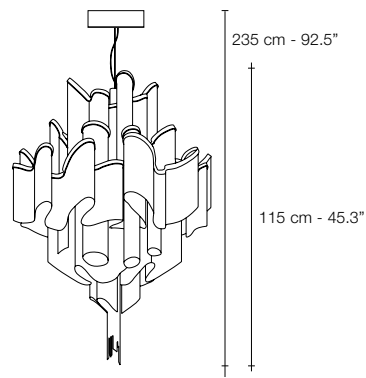






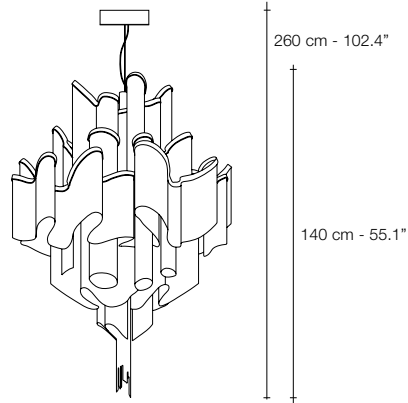
Ø30 cm - 11.8"

J54S



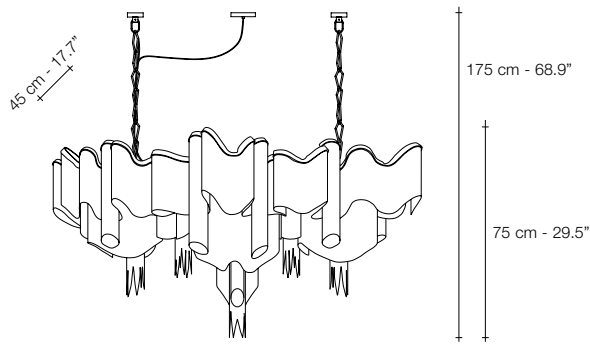
Ø80 cm - 31.5"

J51S

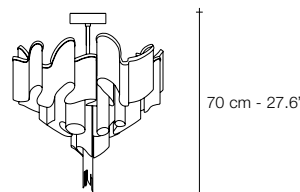


Ø110 cm - 43.3"

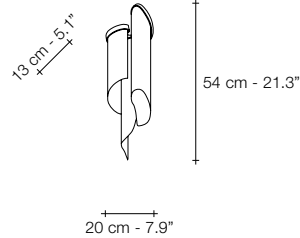
J50S



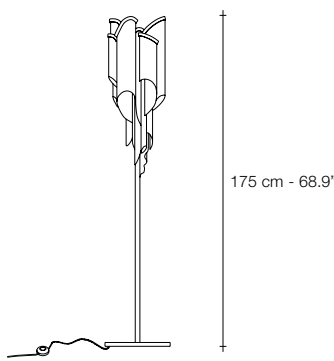
J52S



J70L



J60A



J65P



NICKEL PLATED

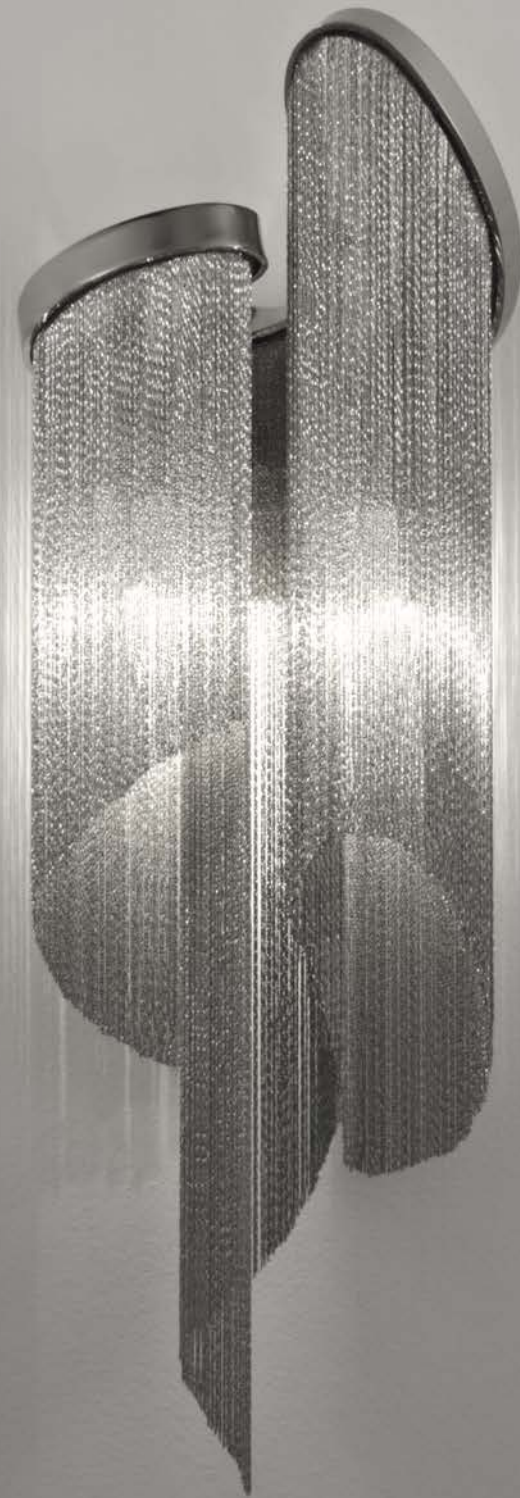


BLACK NICKEL PLATED



GOLD PLATED

LIGHT SOURCE		J51S	J50S	LIGHT SOURCE			J54S	J52S	J70L	LIGHT SOURCE		J60A	J65P		
230V		E14 LED GU10 LED	18x4W 5W	20x4W 5W	230V		G9 LED GU10 LED	4x3,5W 5W	12x3,5W 3x5W	8x3,5W 5W	230V		E14 LED	2x6W	6x6W
	Dimmable	✓	✓	Dimmable	✓	✓	✓	✓	✓	✓	Dimmable	✓	✓		
120V		E12 LED GU10 LED	18x4W 6W	20x4W 6W	120V		G9 LED GU10 LED	4x4W 6W	12x4W 3x6W	8x4W 6W	120V		E12 LED	2x5.5W	6x5.5W
	Dimmable	✓	✓	Dimmable	✓	✓	✓	✓	✓	✓	Dimmable	✓	✓		



Volver, Breath of new *Light.*

At Terzani, we are fortunate to work with some of the brightest young stars in Italian design. For Volver, designer Diego Bassetti and architect Andrea Panzeri of Studio 14, protégés of Bruno Rainaldi, applied their multidisciplinary approach to create Terzani's first led suspension light. This geometric design combines thin chains with the latest in led technology to create a light that is both elegant and modern. A breath of new light, Volver melds technology and art to achieve a new level of luxury. Available in a circular variation. Design Studio 14. Made in Italy.

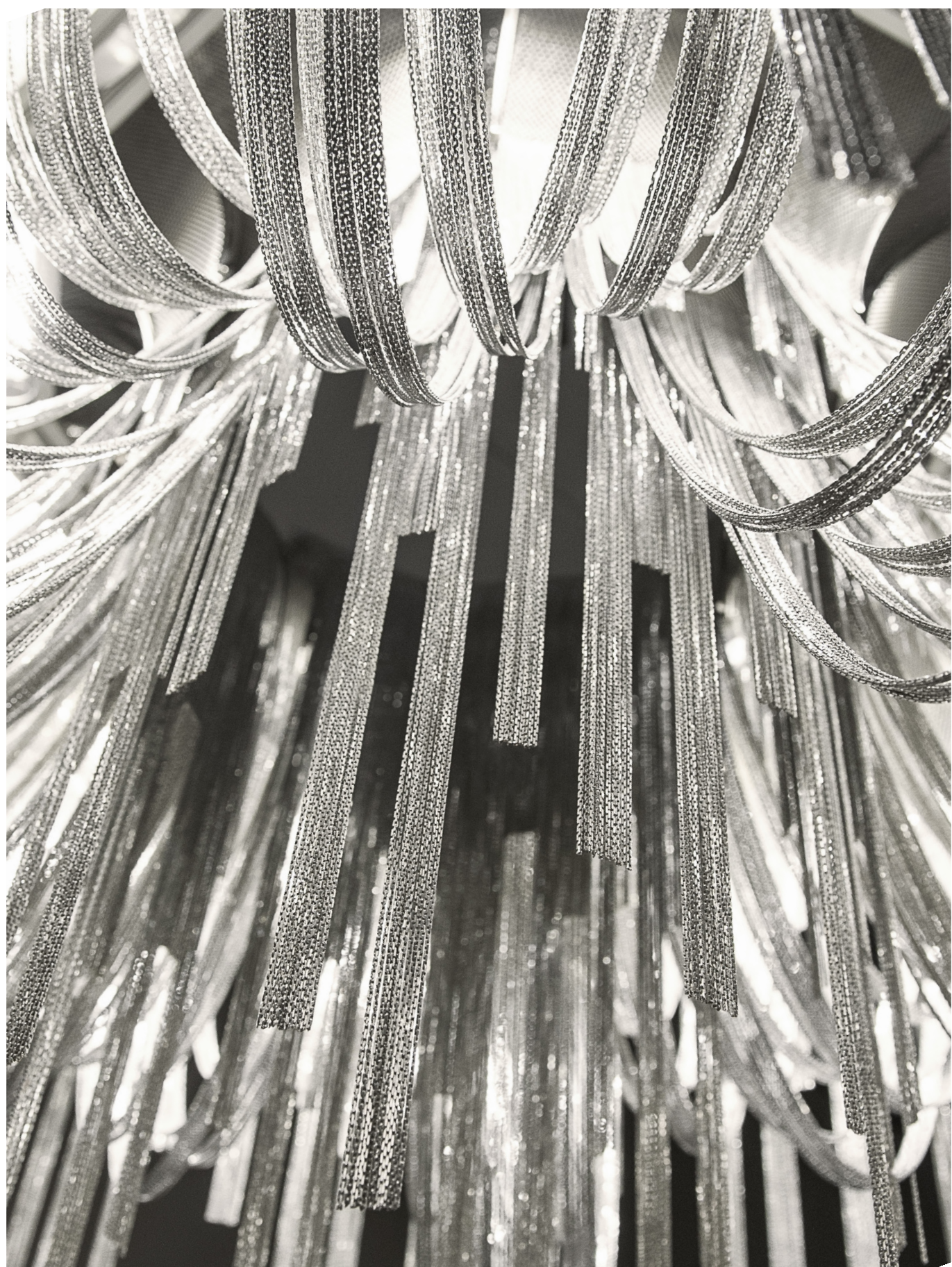


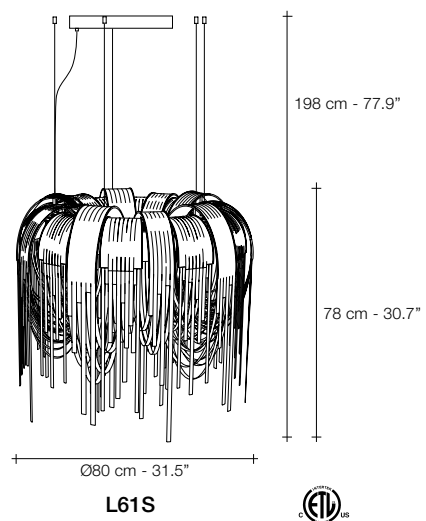
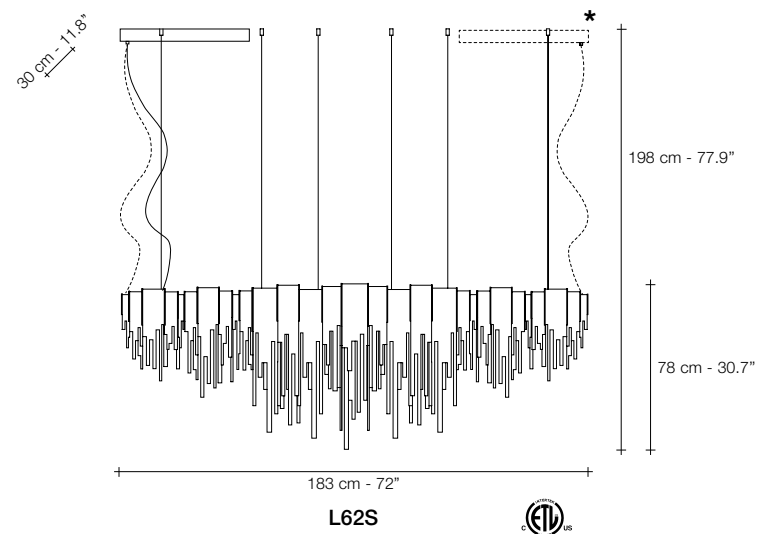
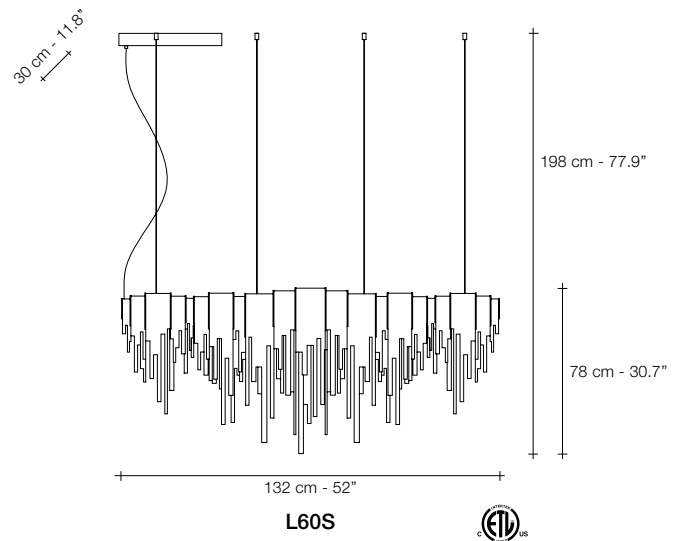
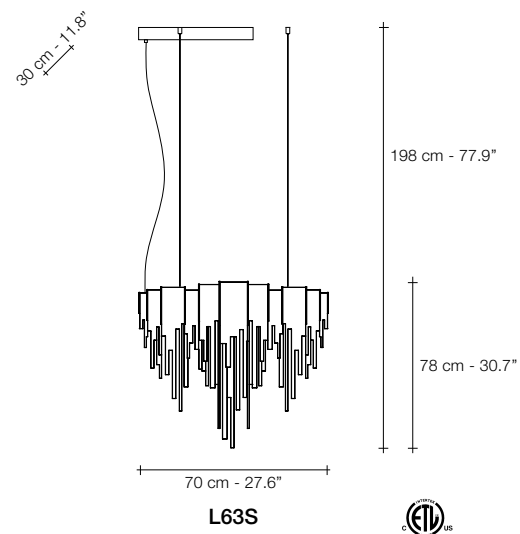












NICKEL PLATED



BLACK NICKEL PLATED



GOLD PLATED



BRUSHED BRONZE

	LIGHT SOURCE	L63S	L60S	L62S	L61S
230V	Replaceable LED module	7x4,5W	10x4,5W	20x4,5W	10x4,5W
	CRI 90 3000K	4632 lm	6617 lm	13234 lm	6617 lm
	2700K	4200 lm	6000 lm	12000 lm	6000 lm
	Dimmable	0-10V PWM PUSH/DALI	0-10V PWM PUSH/DALI	0-10V PWM PUSH/DALI	0-10V PWM PUSH/DALI
120V	Replaceable LED module	7x4,5W	10x4,5W	20x4,5W	10x4,5W
	CRI 90 3000K	4632 lm	6617 lm	13234 lm	6617 lm
	2700K	4200 lm	6000 lm	12000 lm	6000 lm
	Dimmable	TRIAC	1-10V PWM 10-100kΩ	1-10V PWM 10-100kΩ	1-10V PWM 10-100kΩ

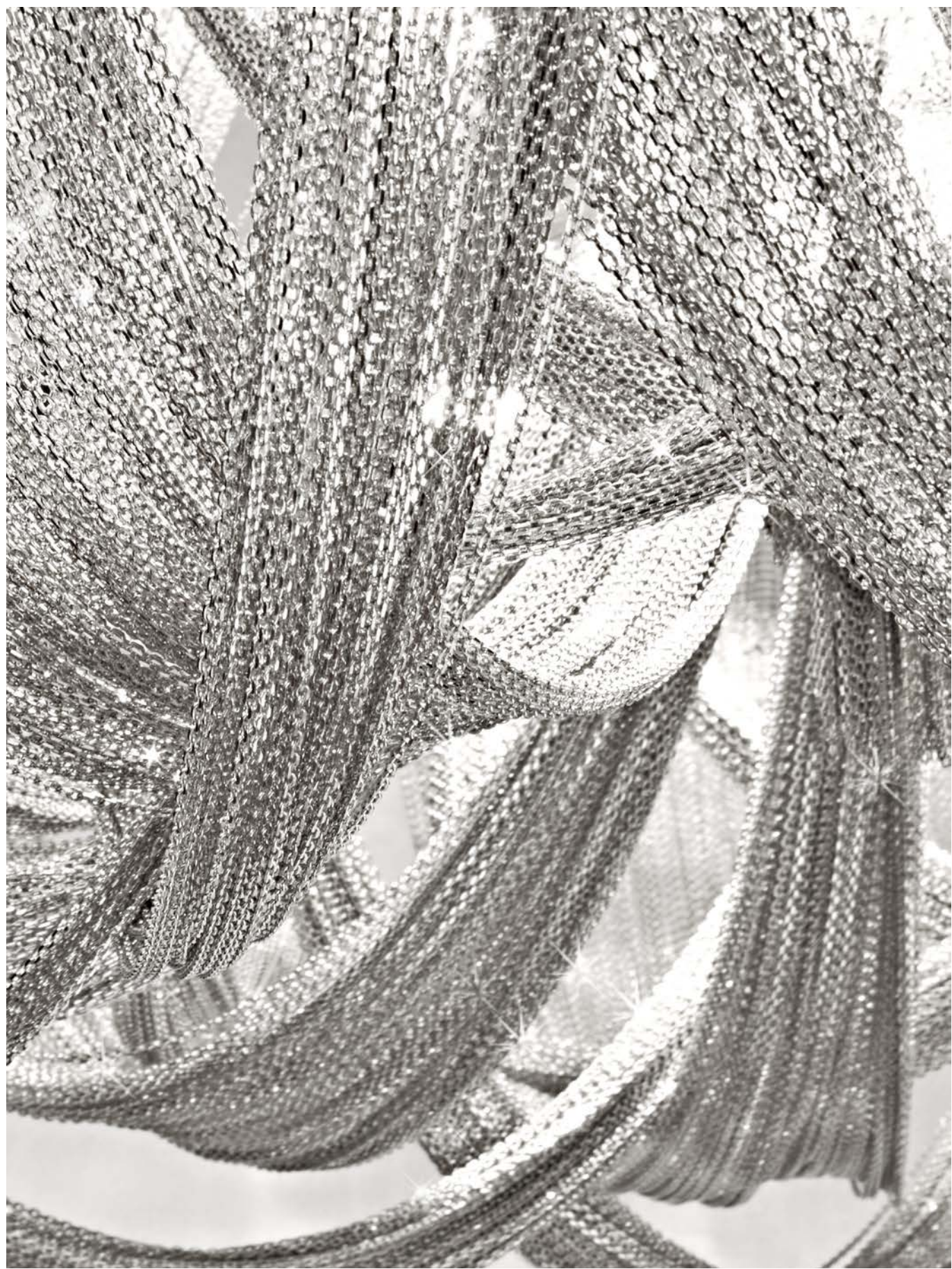
Volover available with integrated LED 3000K or 2700K. Different dimming options on request.
 * Only 120V version has two canopies.



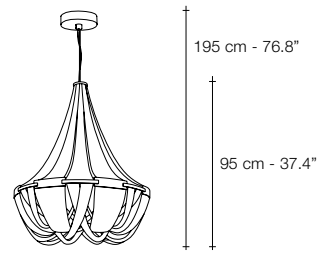
Soscik, Classic form, *Modern look.*

Terzani continues to reinvent the classics. With Soscik, that combines traditional, artisan techniques with cutting-edge technology to give the traditional chandelier a modern update. Created by interlacing metal chain over the frame, Soscik creates a dramatic and romantic effect, while still being able to compliment today's modern luxury. Available as a chandelier or a ceiling lamp, Soscik proves that modern design does not have to sacrifice luxury. Design Nicolas Terzani.

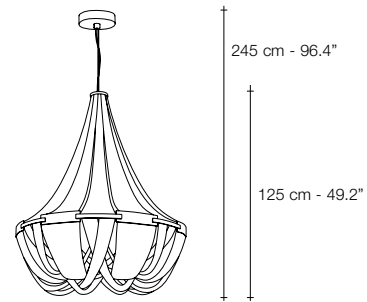




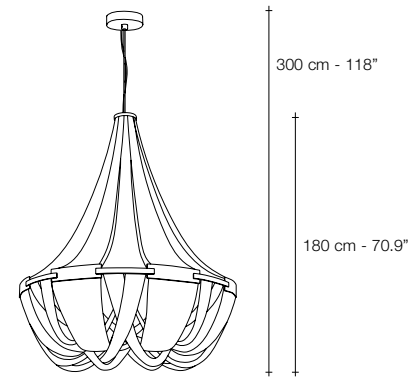




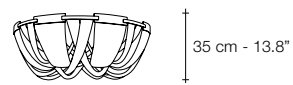
Ø72 cm - 28.4"
G55S



Ø100 cm - 39.4"
G56S



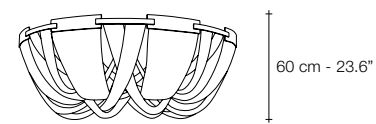
Ø145 cm - 57.1"
G57S



Ø72 cm - 28.4"
G60L



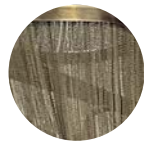
Ø100 cm - 39.4"
G61L



Ø145 cm - 57.1"
G62L



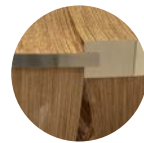
NICKEL PLATED



BRUSHED BRONZE



GOLD PLATED



CHAMPAGNE PLATED

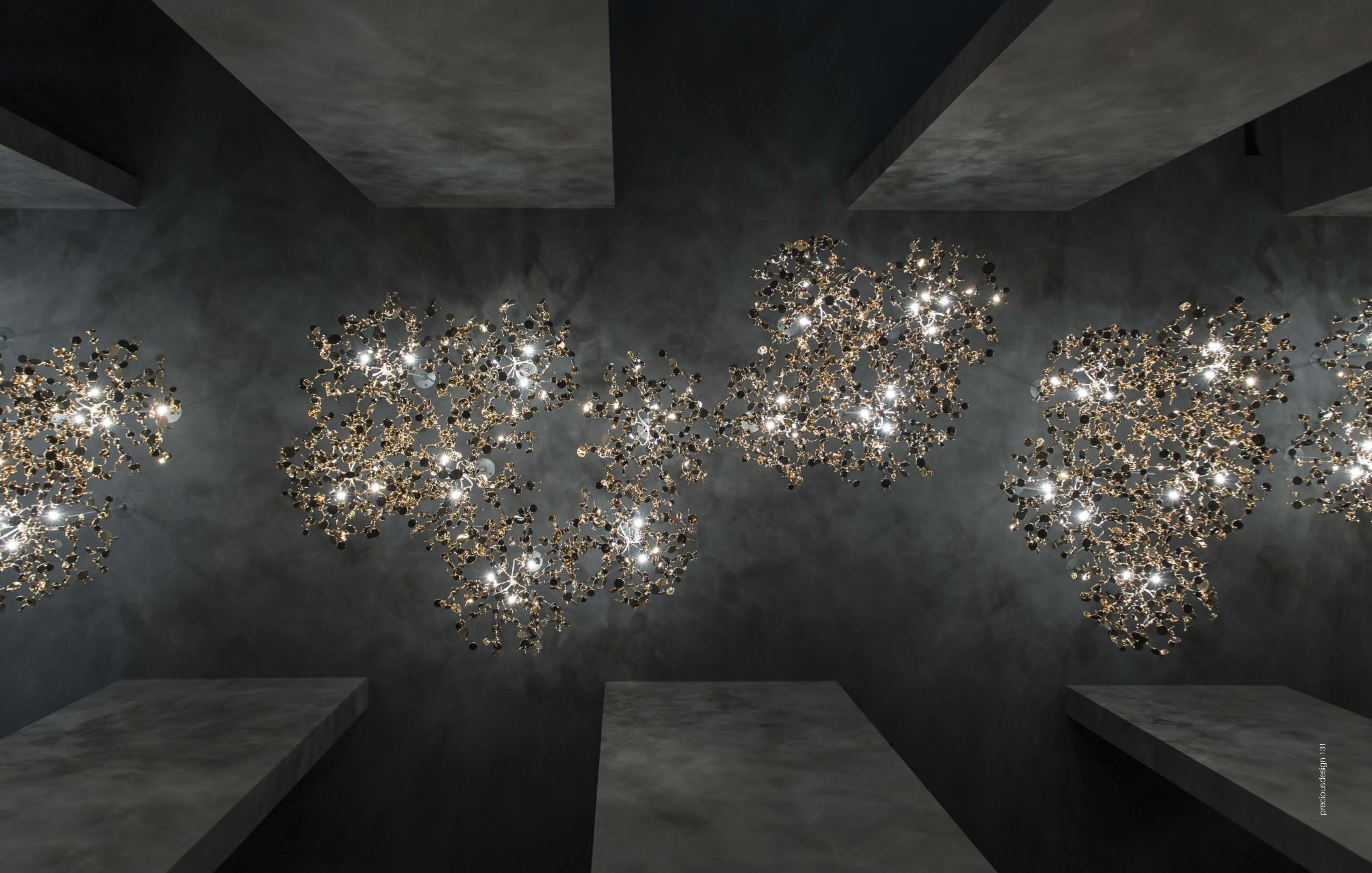
LIGHT SOURCE		G55S	G56S	G57S	G60L	G61L	G62L
230V	G9 LED	8x3,5W	12x3,5W	14x3,5W	8x3,5W	10x3,5W	12x3,5W
	Dimmable	✓	✓	✓	✓	✓	✓
120V	G9 LED	8x4W	12x4W	14x4W	8x4W	10x4W	12x4W
	Dimmable	✓	✓	✓	✓	✓	✓



Argent, a precious *cloud.*

With this light, designer Dodo Arslan creates a shimmering cloud. Argent consists of metal discs that have been meticulously shaped by hand by Terzani craftsmen into clusters. Once lit, the multiple, angled surfaces of the discs emanate a soft, shimmering glow. Argent is available in stainless steel, gold plated, rose gold plated and champagne plated finishes. Black nickel plated is available on request. Design Dodo Arslan.















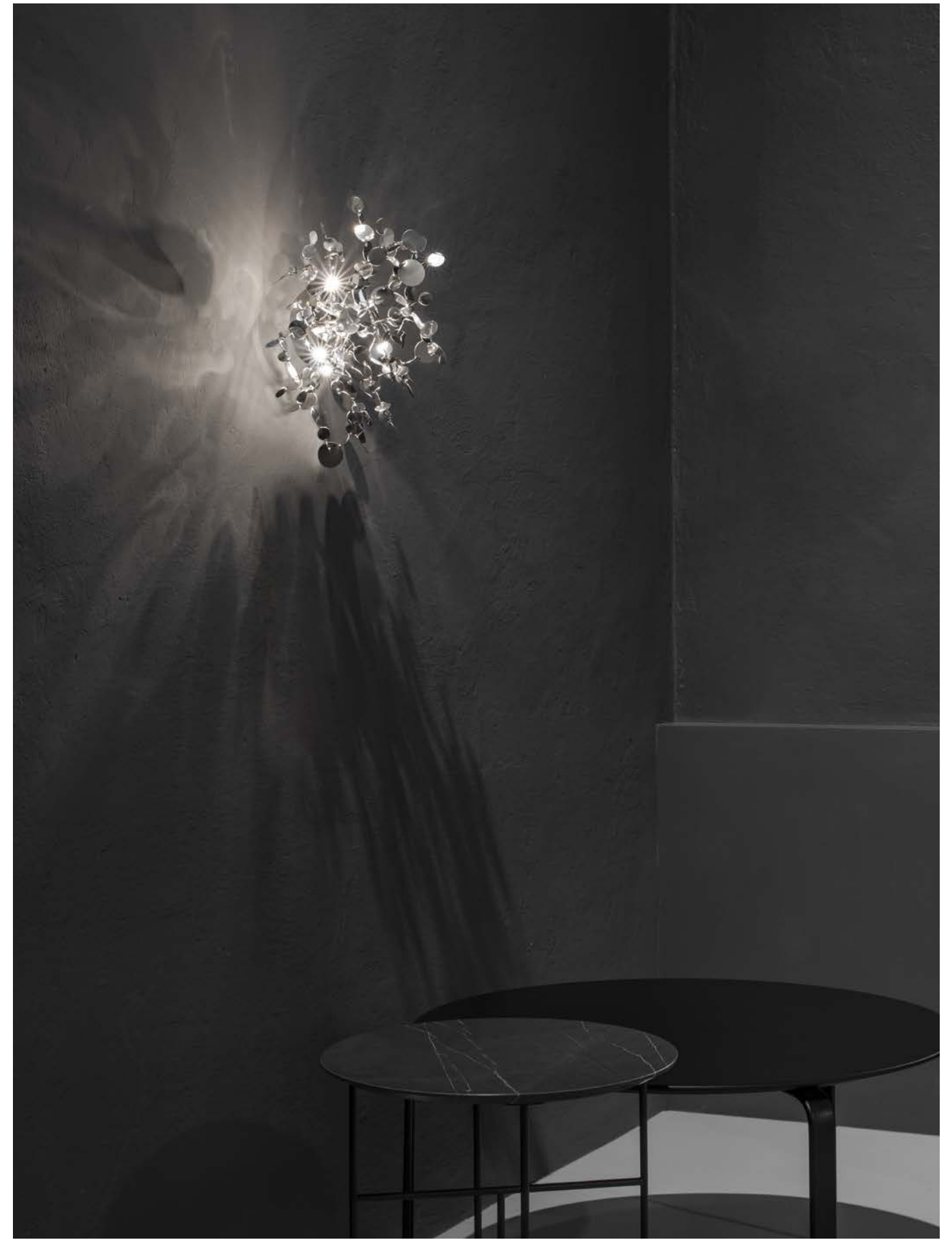






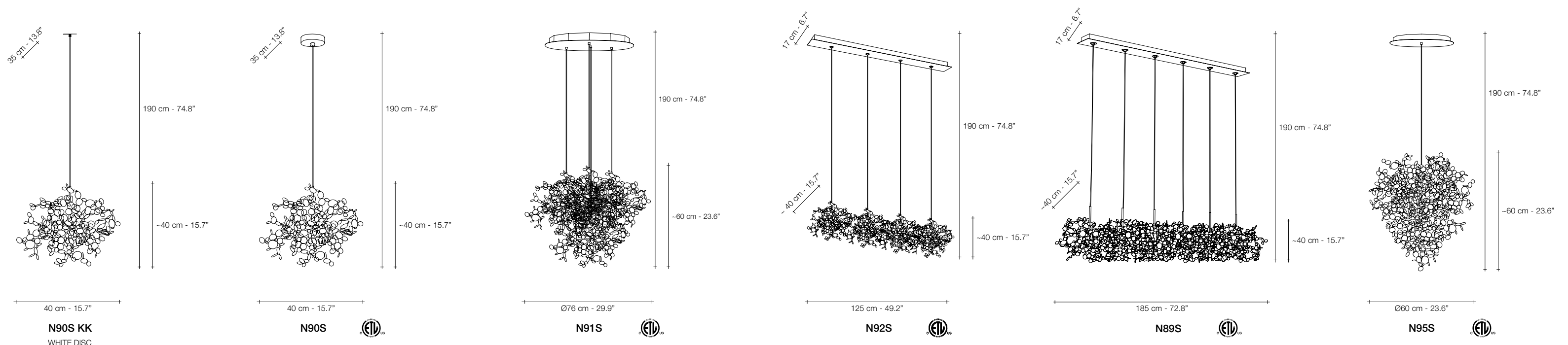












N90S KK
WHITE DISC

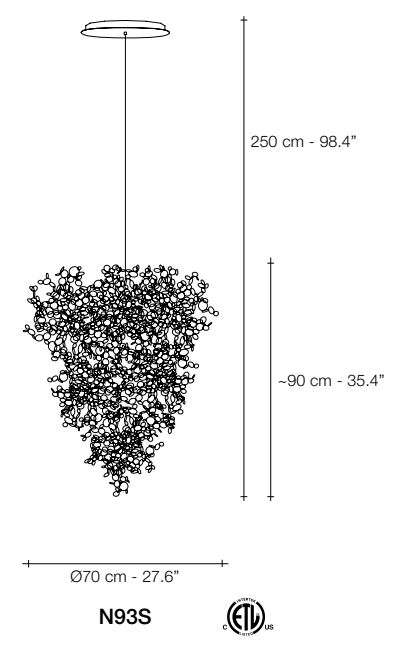
N90S

N91S

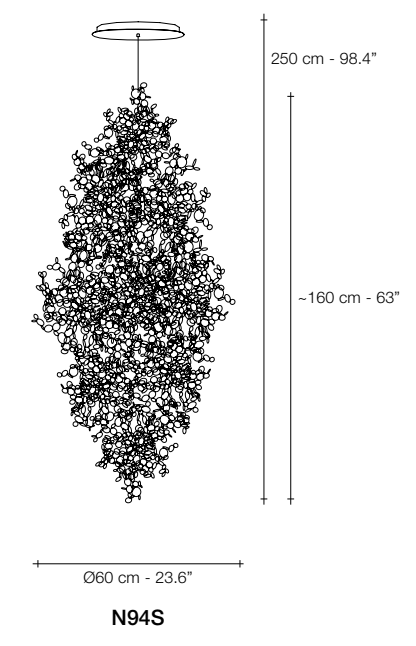
N92S

N89S

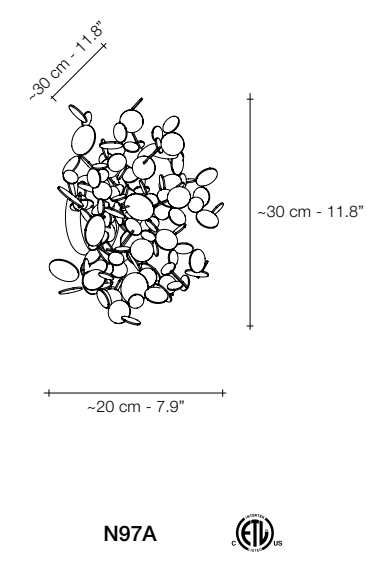
N95S



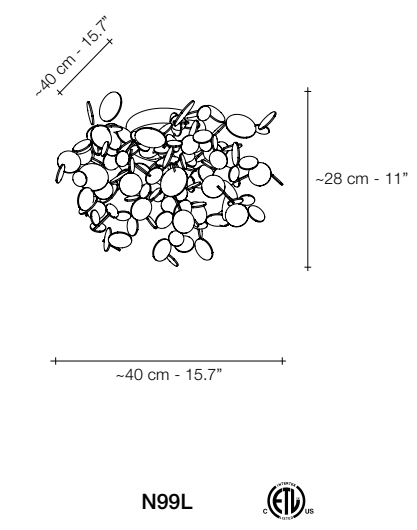
N93S



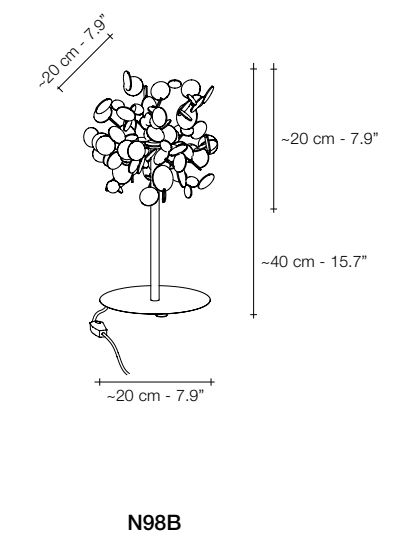
N94S



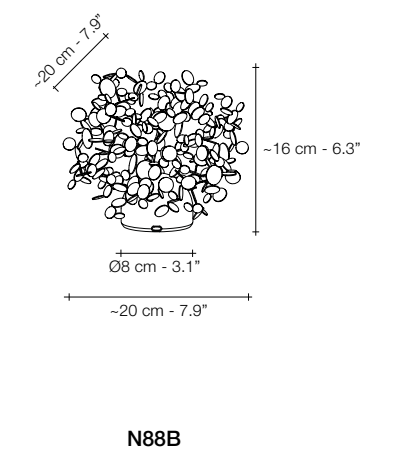
N97A



N99L



N98B
N/A in North America



N88B



LIGHT SOURCE OPTIONS	N90S KK	N90S	N91S	N92S	N89S	N97A	N99L	N98B
230V G4 HALOGEN G4 LED	3x20W 3x2W	3x20W 3x2W	12x20W 12x2W	12x20W 12x2W	18x20W 18x2W	3x20W 3x2W	3x20W 3x2W	- 3x2W
Dimmable	IGBT 0/1-10V 10-100kΩ PUSH/DALI	IGBT TRIAC DALI	IGBT 0/1-10V PWM 10-100kΩ PUSH/DALI	IGBT 0/1-10V PWM 10-100kΩ PUSH/DALI	IGBT 0/1-10V PWM 10-100kΩ PUSH/DALI	IGBT TRIAC DALI	IGBT TRIAC DALI	no
120V G4 XENON G4 LED	3x20W 3x2W	3x20W 3x2W	12x20W 12x2W	12x20W 12x2W	18x20W 18x2W	3x20W 3x2W	3x20W 3x2W	- -
Dimmable	ELV	ELV	ELV	ELV	ELV	ELV	ELV	-

LIGHT SOURCE	N95S	N93S	N94S
230V Replaceable LED module	6x2,1W 3000K 2700K	12x2,1W 3000K 3036 lm 1518 lm	18x2,1W 5094 lm 4554 lm
Dimmable	0/1-10V PUSH/DALI	1-10V PUSH/DALI	PUSH/DALI
120V Replaceable LED module	6x2.1W 3000K 2700K	12x2.1W 3036 lm 3036 lm 1518 lm	18x2.1W 5094 lm 4554 lm
Dimmable	1-10V PUSH	0/1-10V PUSH/DALI	0/1-10V PUSH/DALI

LIGHT SOURCE	N88B
120V 230V Replaceable LED module	1,4W 3000K
Integrated 4 steps dimmer * with PVD coating on N88B	max 210 lm

Argent N93S, N94S, N95S available with integrated LED 3000K or 2700K. Different dimming options on request.

Mizu, flowing *light.*

Inspired by the tranquil and mesmerizing light refractions created by water, Mizu is a customizable pendant light from Terzani. Like water droplets, no two Mizu are alike, each crystal shape is unique and made meticulously by hand. Using only the clearest crystal, Mizu perfectly emulates water's refraction of light, casting amazing patterns around the room, reminiscent of flowing water. Available in clear, silver dust, gold, cognac and champagne finish. Design Nicolas Terzani.







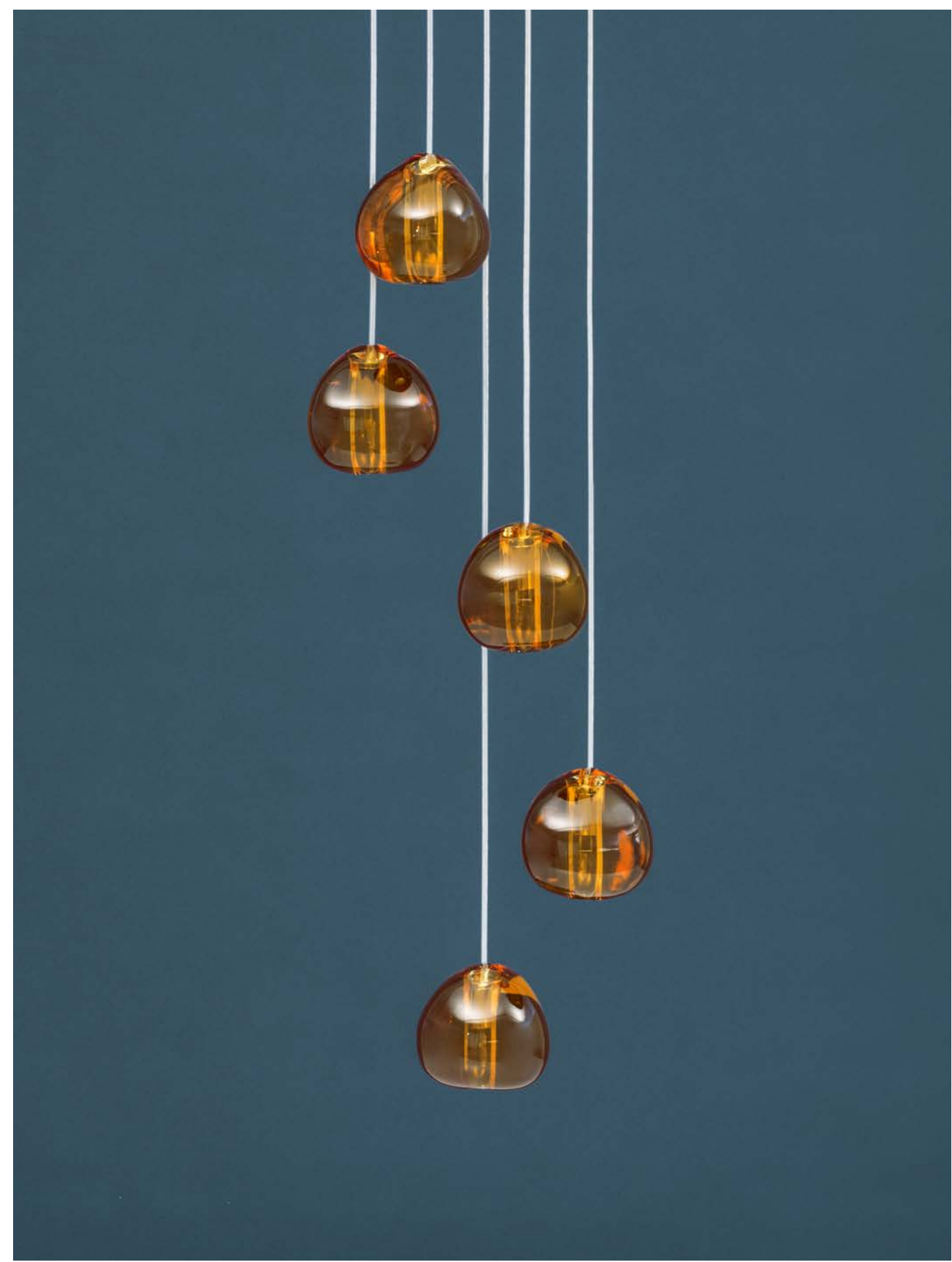


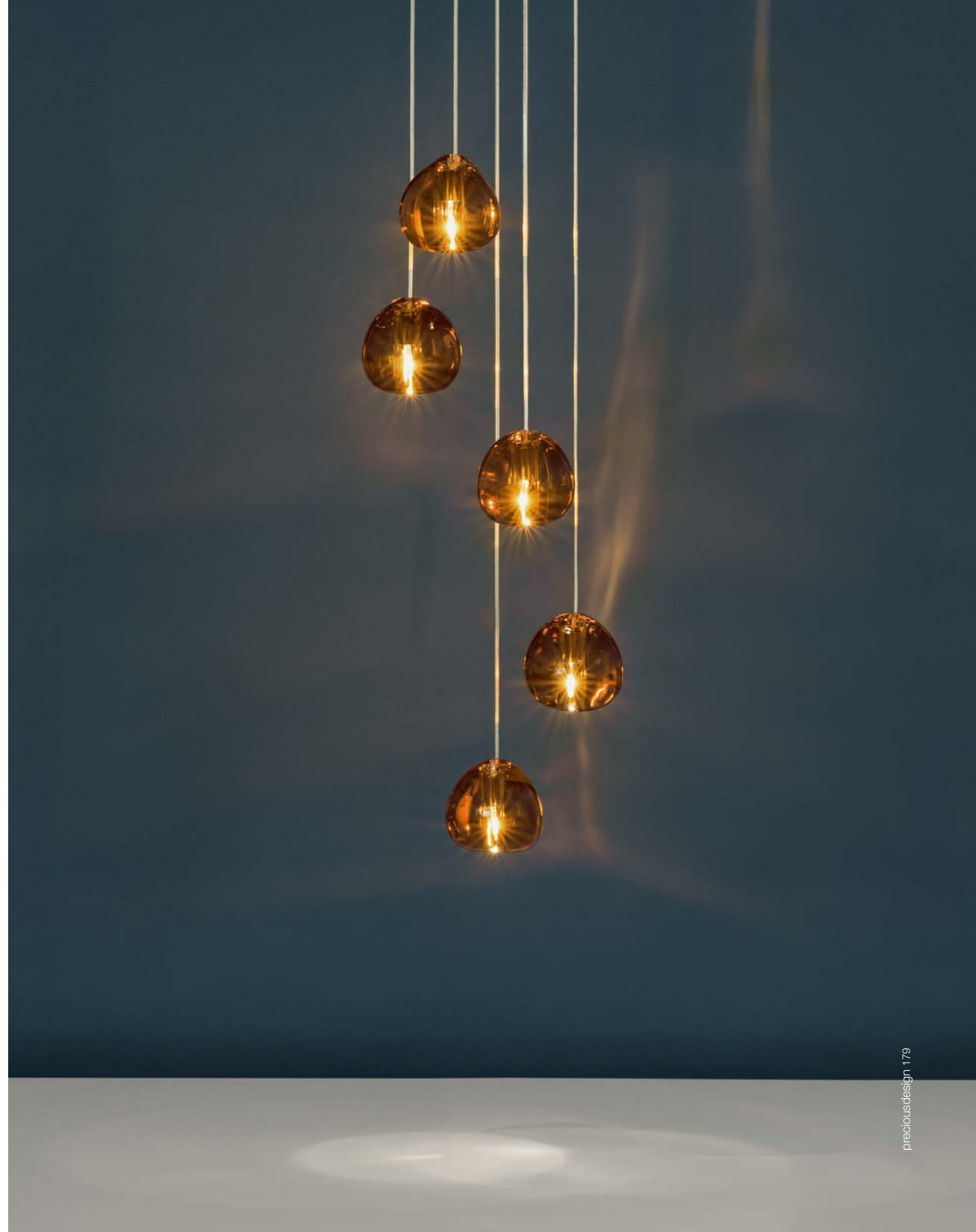










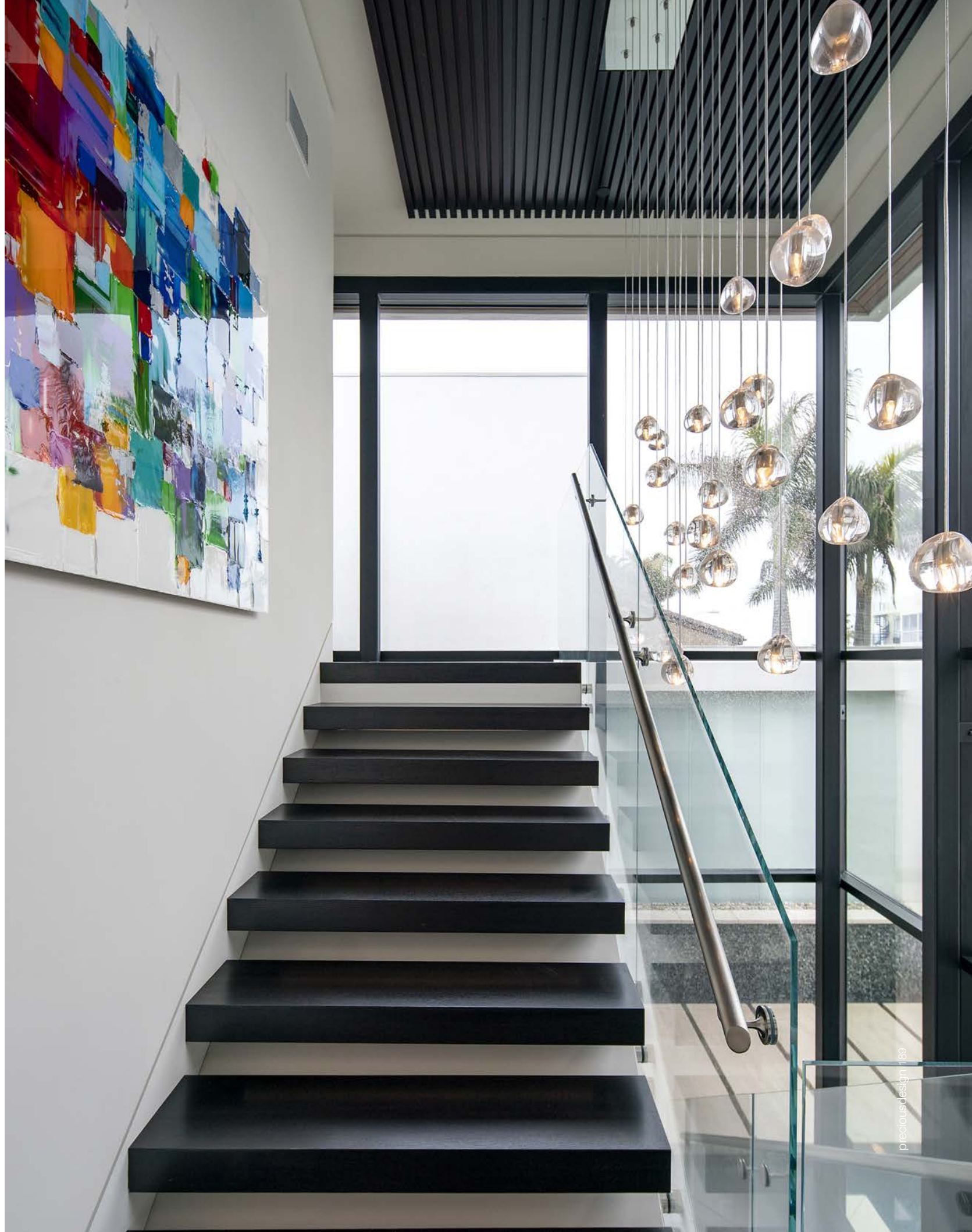




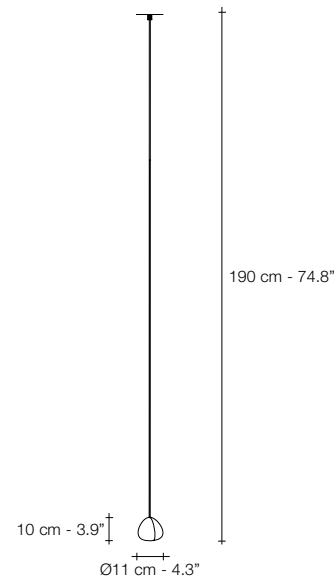




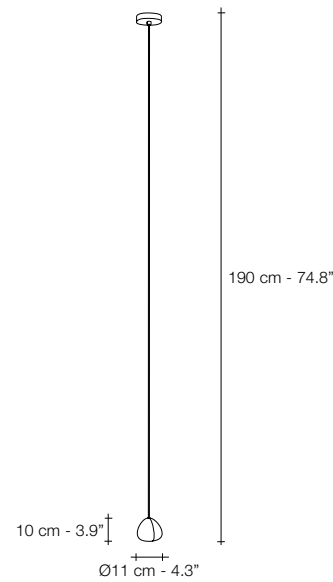




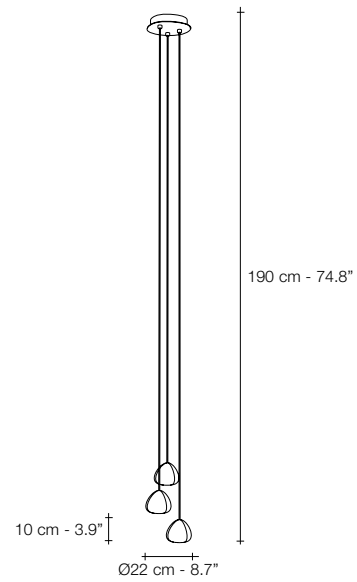




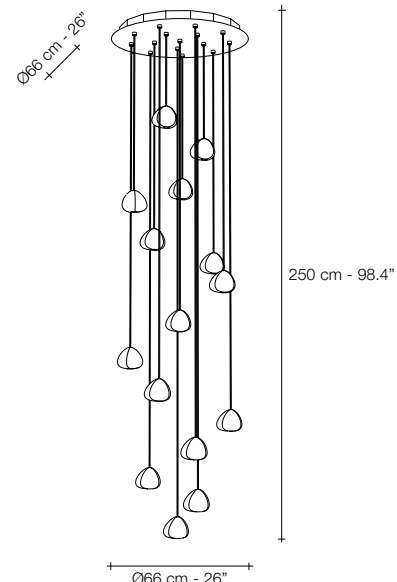
R01S KK
WHITE DISC



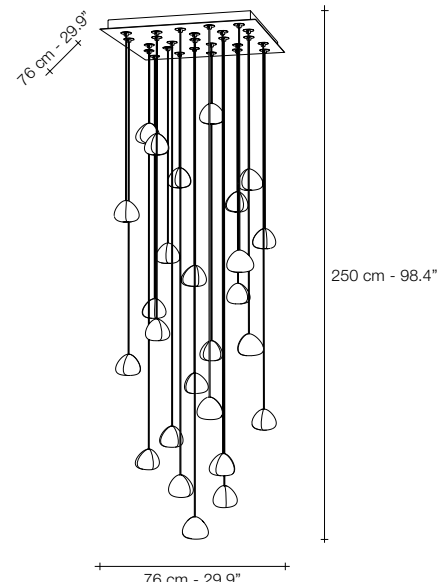
R01S



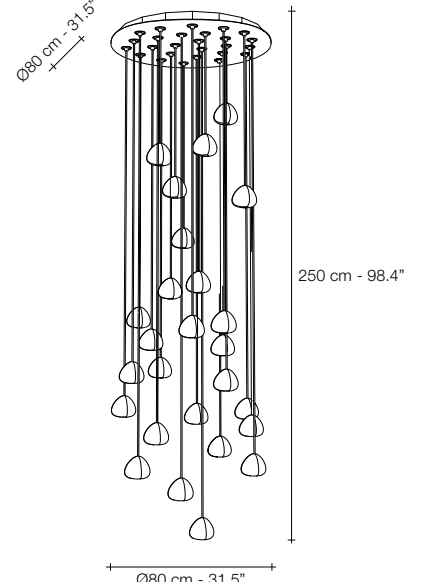
R03S



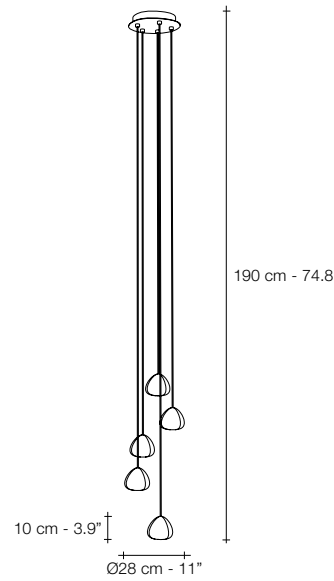
R15ST



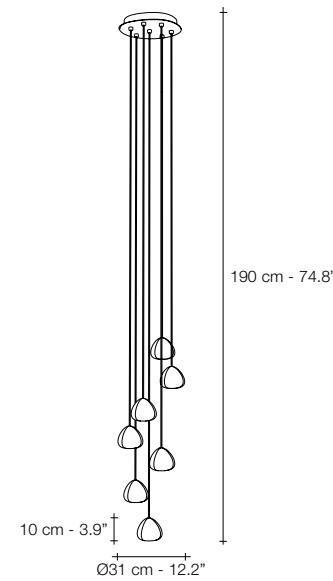
R26SQ



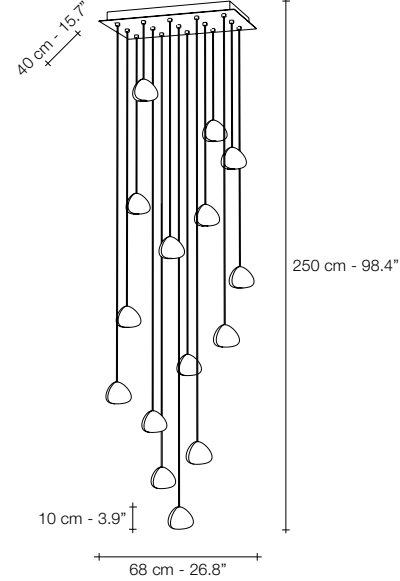
R26ST



R05S



R07S



R15SR



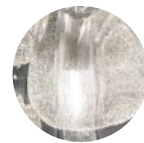
CLEAR CRYSTAL



CHAMPAGNE CRYSTAL



COGNAC CRYSTAL



SILVER DUST CRYSTAL



GOLD CRYSTAL

	R01S KK	R01S	R03S	R05S	R07S	R15SR	R15ST	R26SQ	R26ST
LIGHT SOURCE OPTIONS									
G4 HALOGEN	10W	10W	3x10W	5x10W	7x10W	15x10W	15x10W	26x10W	26x10W
G4 LED	2W	2W	3x2W	5x2W	7x2W	15x2W	15x2W	26x2W	26x2W
Replaceable LED module	1,5W	1,5W	3x1,5W	5x1,5W	7x1,5W	15x1,5W	15x1,5W	26x1,5W	26x1,5W
230V	3000K	146 lm	438 lm	730 lm	1022 lm	2190 lm	2190 lm	3796 lm	3796 lm
	2700K	129 lm	387 lm	645 lm	903 lm	1935 lm	1935 lm	3354 lm	3354 lm
Dimmable	IGBT 10-100kΩ 0/1-10V PUSH/DALI	IGBT TRIAC DALI	IGBT 1-10V PUSH DALI	IGBT 0/1-10V 10V PWM PUSH/DALI	IGBT 0/1-10V PWM PUSH/DALI	IGBT 0/1-10V PWM PUSH/DALI	IGBT 0/1-10V PWM PUSH/DALI	IGBT 0/1-10V PWM PUSH/DALI	IGBT 0/1-10V PWM PUSH/DALI
120V									
G4 XENON	10W	10W	3x10W	5x10W	7x10W	15x10W	15x10W	26x10W	26x10W
G4 LED	2W	2W	3x2W	5x2W	7x2W	15x2W	15x2W	26x2W	26x2W
Dimmable	ELV	ELV	ELV	ELV	ELV	ELV	ELV	ELV	ELV

Mizu available with integrated LED 3000K or 2700K (not ETL). Different dimming options on request

Manta, Shimmering *Waves.*

Manta was created featuring sinuous, undulating lines. The results are soft waves of crystal light reminiscent of being underwater. The innovative Manta is made of crystal, with a dimmable integrated led lamp focused on maximizing the crystal's reflection. Manta's organic form is available in two sizes and can be installed in numerous, customizable arrangements. Design Dodo Arslan & Nicolas Terzani.

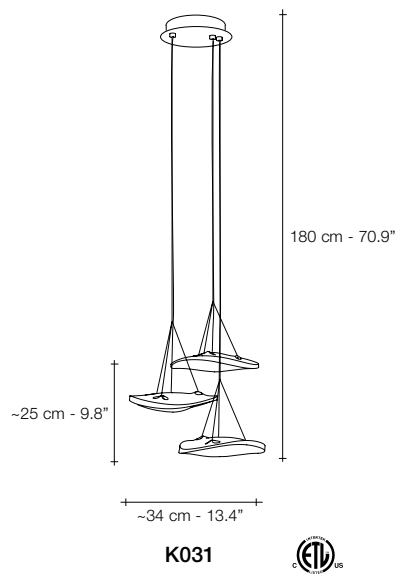
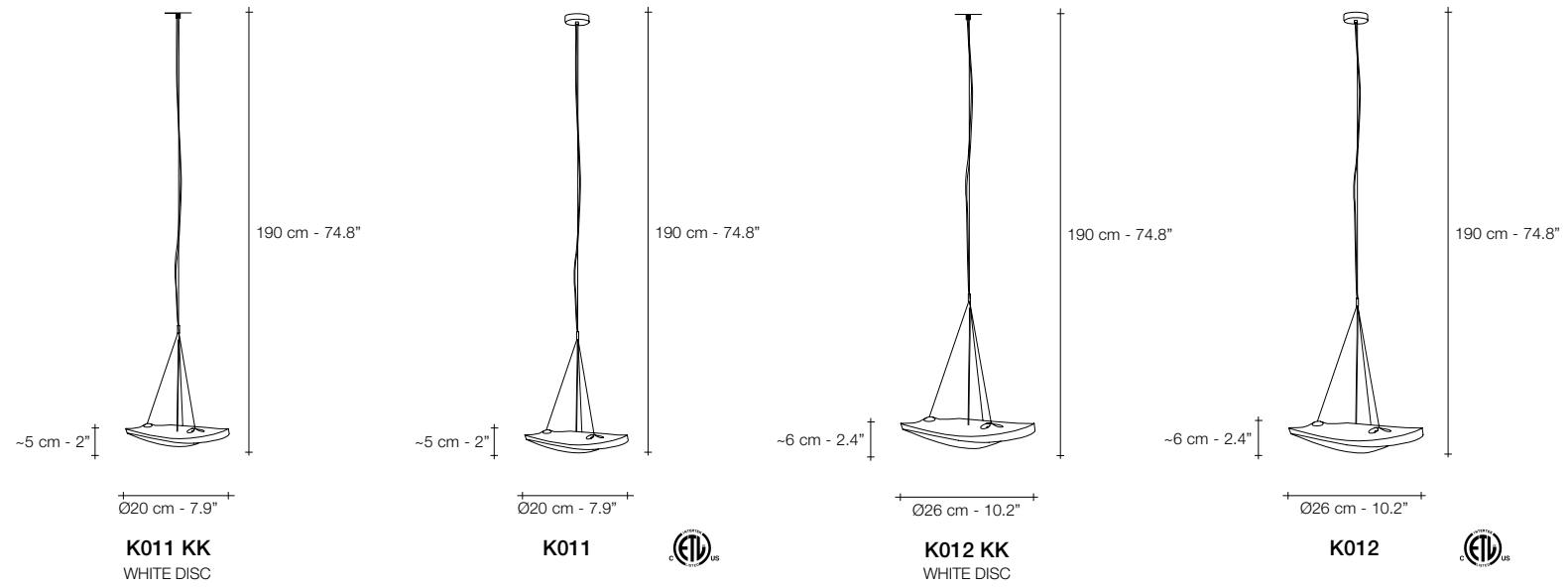












CLEAR CRYSTAL

	K011 KK	K011	K012 KK	K012	K031	
230V	Replaceable LED module	1,5W	1,5W	1,5W	1,5W	3x1,5W
	3000K	135 lm	135 lm	135 lm	135 lm	405 lm
	2700K	115 lm	115 lm	115 lm	115 lm	345 lm
	Dimmable	0/1-10V PUSH/DALI	PUSH/DALI	1-10V PUSH/DALI	PUSH/DALI	1-10V PUSH/DALI
120V	Replaceable LED module	1,5W	1,5W	1,5W	1,5W	3x1,5W
	3000K	135 lm	135 lm	135 lm	135 lm	405 lm
	2700K	115 lm	115 lm	115 lm	115 lm	345 lm
	Dimmable	0/1-10V PUSH/DALI	no	0/1-10V PUSH/DALI	no	1-10V PUSH

Manta available with integrated LED 3000K or 2700K. Different dimming options on request. Only 3000K version has the ETL certification.



Gaia, earth *mother.*

In Greek mythology, Gaia is the personification of the Earth and the mother of all life. Looking to capture the mythical and natural beauty of this Earth goddess, designer Jean-François Crochet has created the Gaia pendant light. Consisting of geometric frames of brass or raw metal reminiscent of the mountains Gaia created, the pendant uses led light to push light through the “cracks” formed. The resulting light creates a magical feeling, as if the lights peaking through were alive themselves. Also available in gold, nickel and wood finish and in custom configurations, Gaia adds a vibrancy and sacred light to any space. Design Jean-François Crochet.

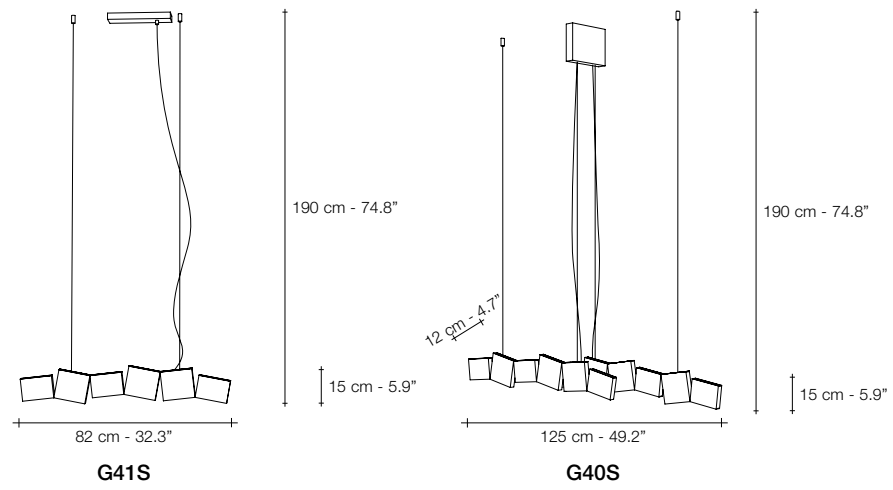












NICKEL
PLATED



GOLD
PLATED



MATT WALNUT

		G41S	G40S	
230V	○	Replaceable LED module	12x1,5W	24x1,5W
		3000K	1752 lm	3504 lm
		2700K	1548 lm	3096 lm
	Dimmable	1-10V PUSH/DALI	0/1-10V PUSH/DALI	
120V	○	Replaceable LED module	12x1.5W	24x1.5W
		3000K	1752 lm	3504 lm
		2700K	1548 lm	3096 lm
	Dimmable	1-10V PUSH	0/1-10V PUSH/DALI	

Gaia available with integrated LED 3000K or 2700K. Different dimming options on request.

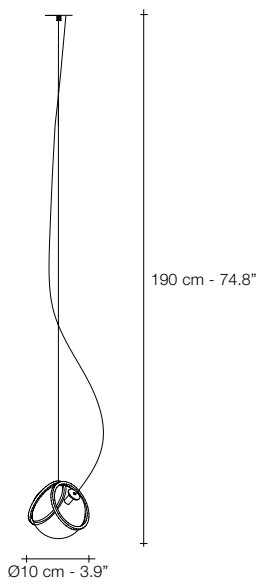


Pug, multum *in parvo.*

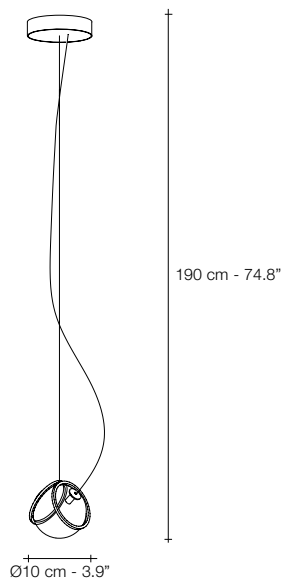
Pug is a dog described as “much in little”, referring to the greatness of his personalities despite his diminutive size. Inspired by the Pug’s charm, designer Jean-François Crochet created the Pug pendant light whose protruding spherical lights are reminiscent of a pug’s face. As with the breed, the Pug pendant packs significant charm and beauty into a small package. Illuminated by LED light, these glass pendants are framed by two brass bands. With Pug, it’s easy to bring a new best friend (or pack of friends) into a home. Available in clear/raw brass and satin white/polished brass. Design Jean-François Crochet.



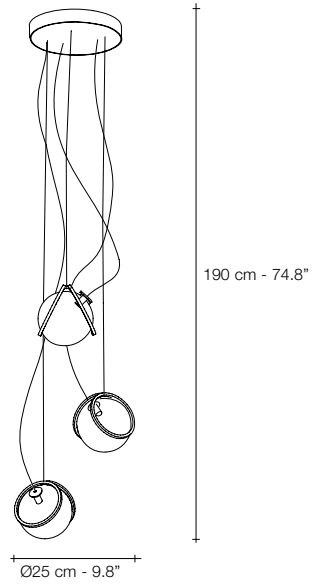




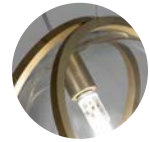
U01S KK
WHITE DISC



U01S



U03S



RAW BRASS |
CLEAR GLASS



POLISHED BRASS |
SATIN WHITE
GLASS

	LIGHT SOURCE	U01S KK	U01S	U03S
230V	G4 LED	1,5W	1,5W 3W	3x1,5W
	Dimmable	IGBT 10'-100kΩ 0/1-10V PUSH/DALI	DALI	IGBT DALI 1-10V PWM
120V	G4 LED	1.5W	1.5W	3x1.5W
	Dimmable	ELV	no	ELV

Different dimming options on request.



Abacus, multiplying *luminescence.*

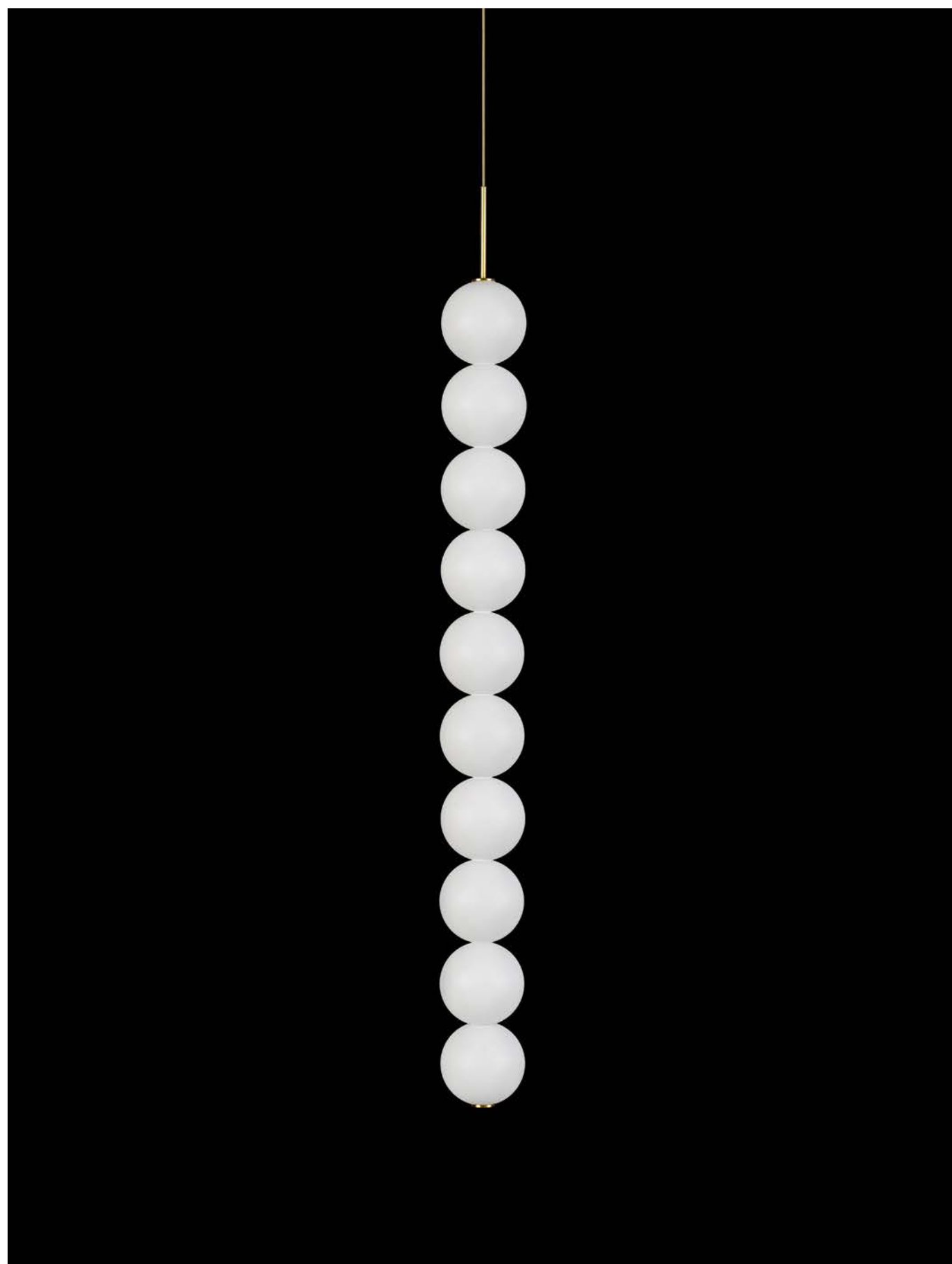
Used for centuries as the tool to both teach and communicate mathematics, the abacus was found in one form or another across the ancient world. At Terzani, we saw the beauty in the abacus' mathematical purity and clean, functional design. In the hands of Terzani's craftsmen, we've turned this inspiration into a new collection of modular pendant lamps whose flexibility allows for complex and beautiful configurations. Each module, or strand, of Abacus, made of a custom set of round, hand-blown opal glass which emit a soft and uniform light. And, as the original abacus was used to calculate everything from simple addition to complex formulas, we've retained the same scalability. Due to its customization, our Abacus light is just as suitable in a home as a commercial space, and its almost infinite configurations makes sure you always come up with the right solution. Design Draw.

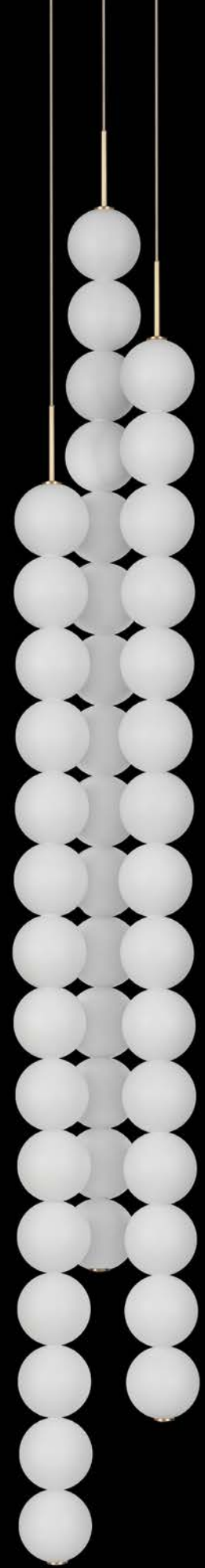


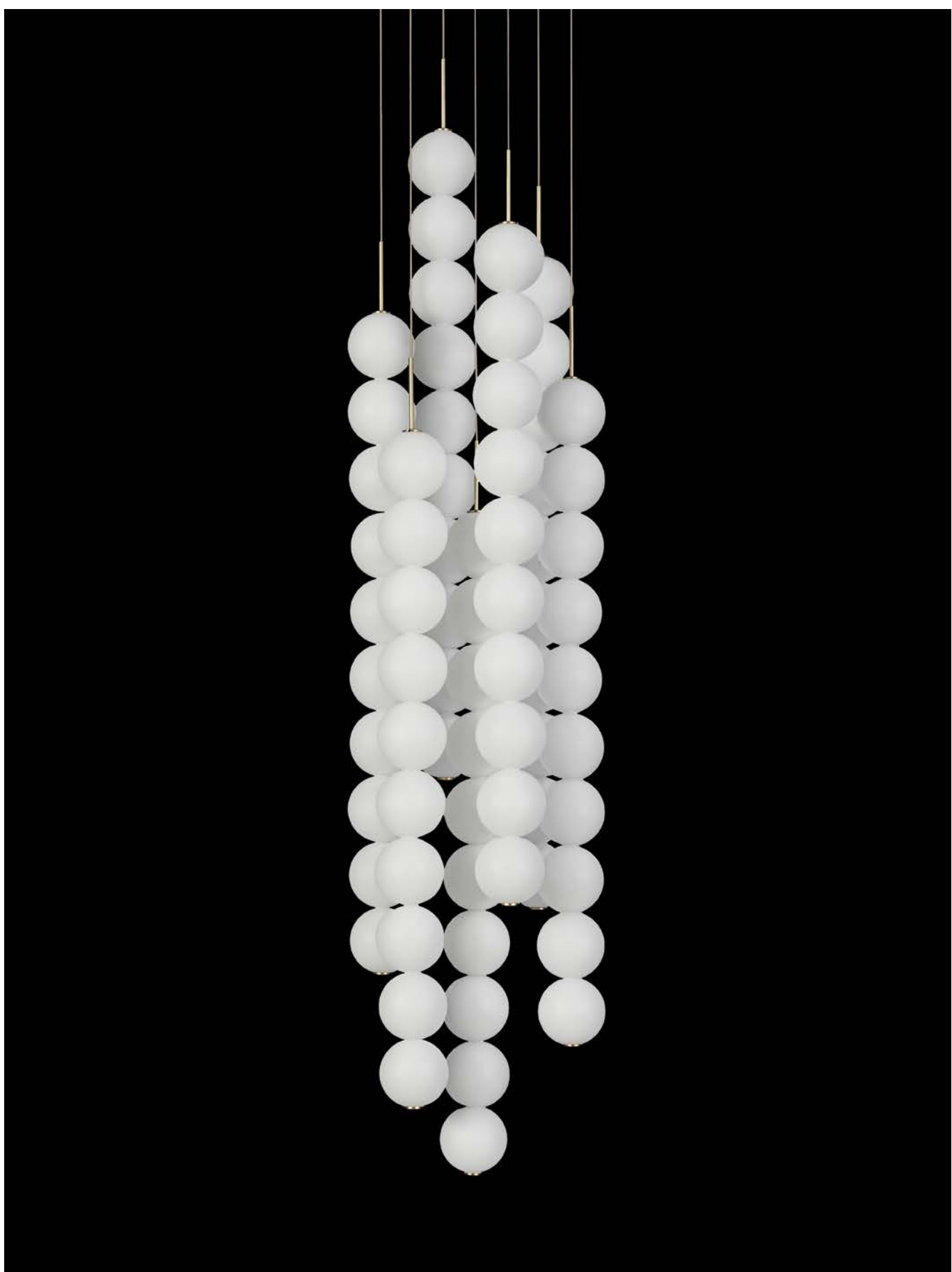


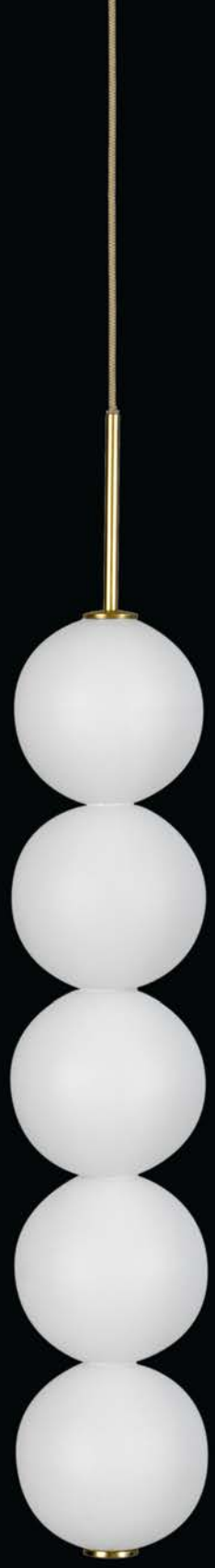




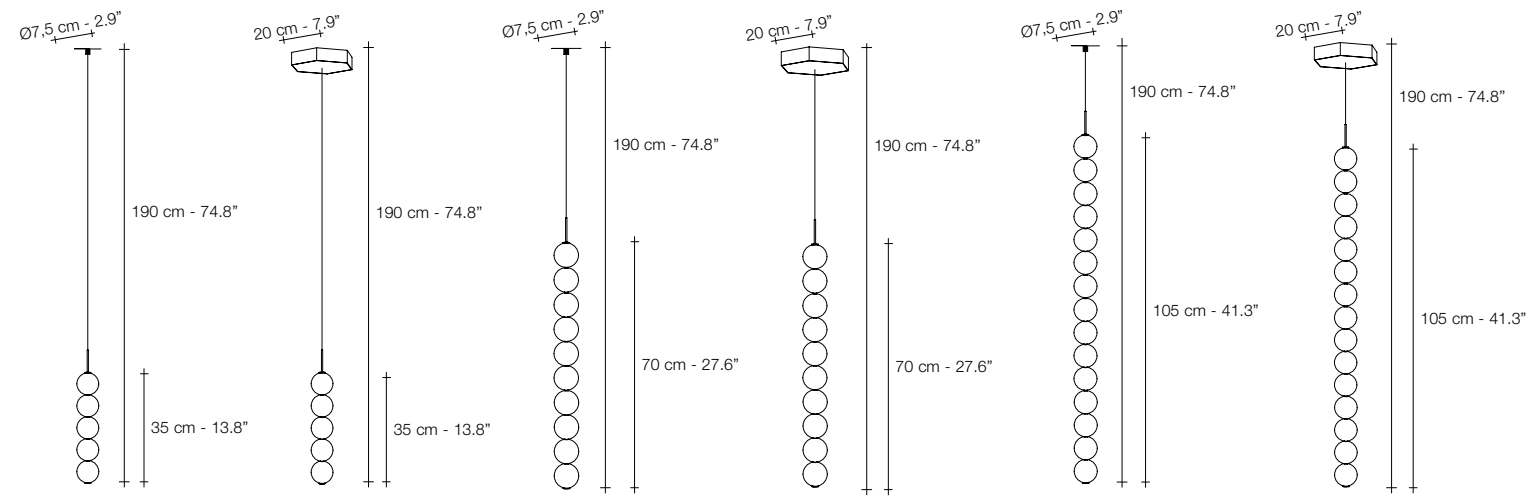




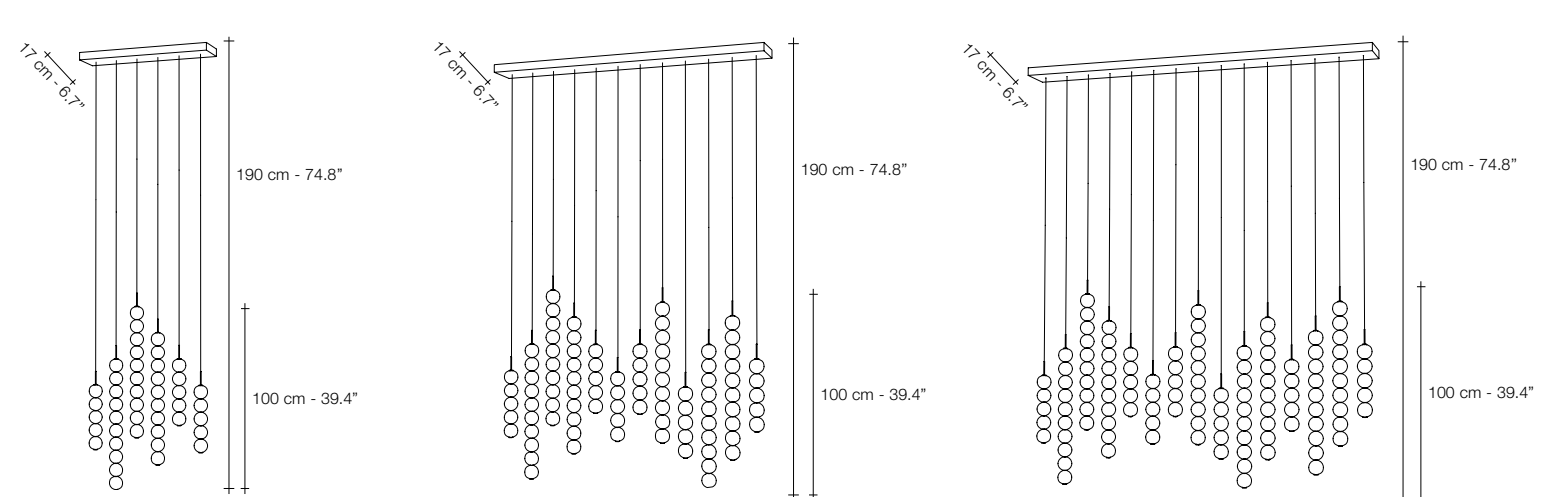




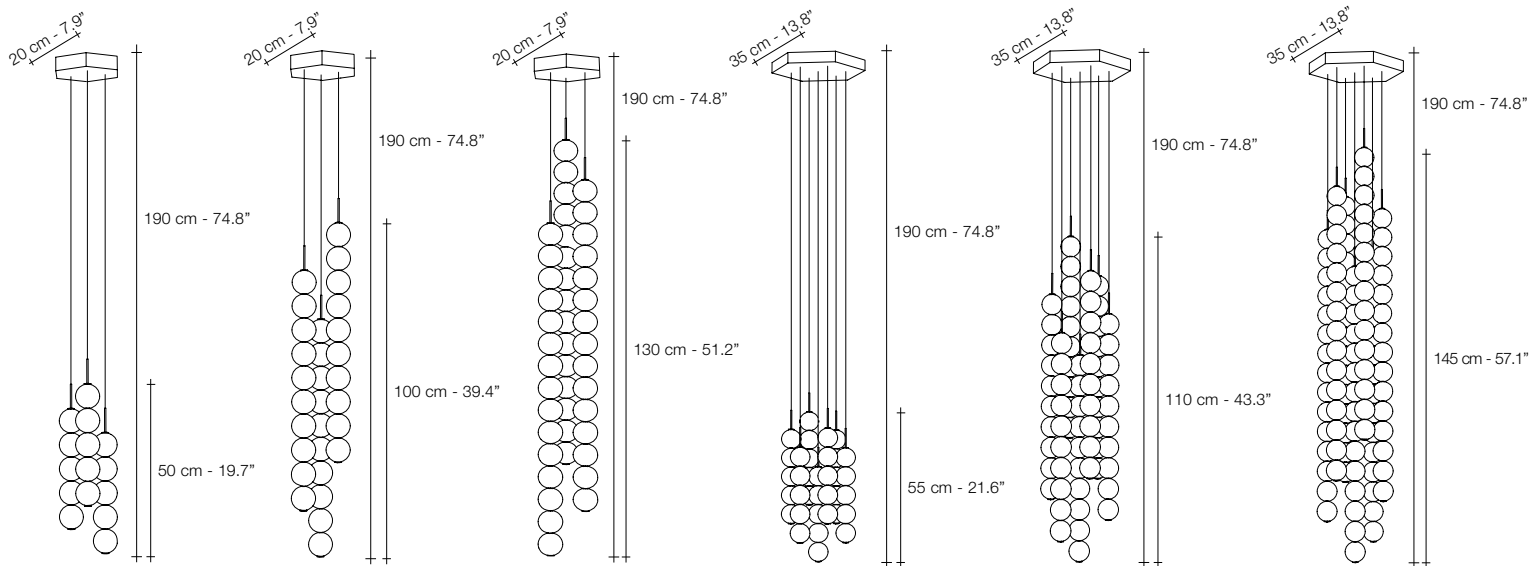




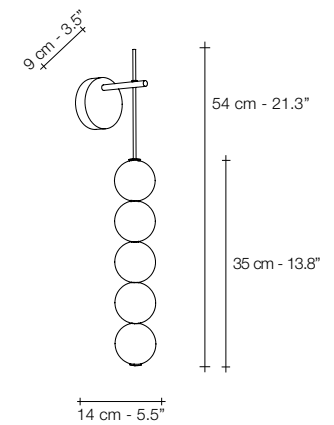
V01S 15KK 5 spheres WHITE DISC
V01S P15 5 spheres
V01S 1AKK 10 spheres WHITE DISC
V01S P1A 10 spheres
V01S 1FKK 15 spheres WHITE DISC
V01S P1F 15 spheres



V06S R2B 3x5 - 3x10 spheres
V12S R3M 6x5 - 6x10 spheres
V15S R4D 7x5 - 8x10 spheres



V03S P1F 3x5 spheres
V03S P1V 3x10 spheres
V03S P2B 3x15 spheres
V07S P21 7x5 spheres
V07S P32 7x10 spheres
V07S P43 7x15 spheres



V01A 15
 5 spheres
 N/A in North America



	LIGHT SOURCE	V01S 15KK	V01S P15	V01S 1AKK	V01S P1A	V01S 1FKK	V01S P1F	V03S P1F	V03S P1V	V03S P2B	V07S P21	V07S P32	V07S P43
230V	Replaceable LED module 3000K	3,6W 540 lm	3,6W 540 lm	7,2W 1080 lm	7,2W 1080 lm	10,8W 1620 lm	10,8W 1620 lm	3 x 3,6W 1620 lm	3 x 7,2W 3240 lm	3x10,8W 4860 lm	7 x 3,6W 3780 lm	7 x 7,2W 7560 lm	7 x 10,8W 11340 lm
	Dimmable	0/1-10V PWM 10-100kΩ PUSH/DALI	0/1-10V PWM 10-100kΩ PUSH/DALI	0/1-10V PWM 10-100kΩ PUSH/DALI	0/1-10V PWM 10-100kΩ PUSH/DALI	0/1-10V PWM 10-100kΩ PUSH/DALI	0/1-10V PWM 10-100kΩ PUSH/DALI	0/1-10V PWM 10-100kΩ PUSH/DALI	0/1-10V PWM 10-100kΩ PUSH/DALI	0/1-10V PWM 10-100kΩ PUSH/DALI	0/1-10V PWM 10-100kΩ PUSH/DALI	0/1-10V PWM 10-100kΩ PUSH/DALI	0/1-10V PWM 10-100kΩ PUSH/DALI
120V	Replaceable LED module 3000K	3,6W 540 lm	3,6W 540 lm	7,2W 1080 lm	7,2W 1080 lm	10,8W 1620 lm	10,8W 1620 lm	3 x 3,6W 1620 lm	3 x 7,2W 3240 lm	3 x 10,8W 4860 lm	7 x 3,6W 3780 lm	7 x 7,2W 7560 lm	7 x 10,8W 11340 lm
	Dimmable	0-10V PWM	0-10V PWM	0-10V PWM	0-10V PWM	0-10V PWM	0-10V PWM	0-10V PWM	0-10V PWM	0-10V PWM	0-10V PWM	0-10V PWM	0-10V PWM

Different dimming options on request

	LIGHT SOURCE	V06S R2B	V12S R3M	V15S R4D	V01A 15
230V	Replaceable LED module 3000K	3 x 3,6W 3 x 7,2W 4860 lm	6 x 3,6W 6 x 7,2W 9720 lm	7 x 3,6W 8 x 7,2W 12420 lm	3,6W 540 lm
	Dimmable	0/1-10V PWM 10-100kΩ PUSH/DALI	0/1-10V PWM 10-100kΩ PUSH/DALI	0/1-10V PWM 10-100kΩ PUSH/DALI	0/1-10V PUSH
120V	Replaceable LED module 3000K	3 x 3,6W 3 x 7,2W 4860 lm	6 x 3,6W 6 x 7,2W 9720 lm	7 x 3,6W 8 x 7,2W 12420 lm	-
	Dimmable	0-10V PWM	0-10V PWM	0-10V PWM	-

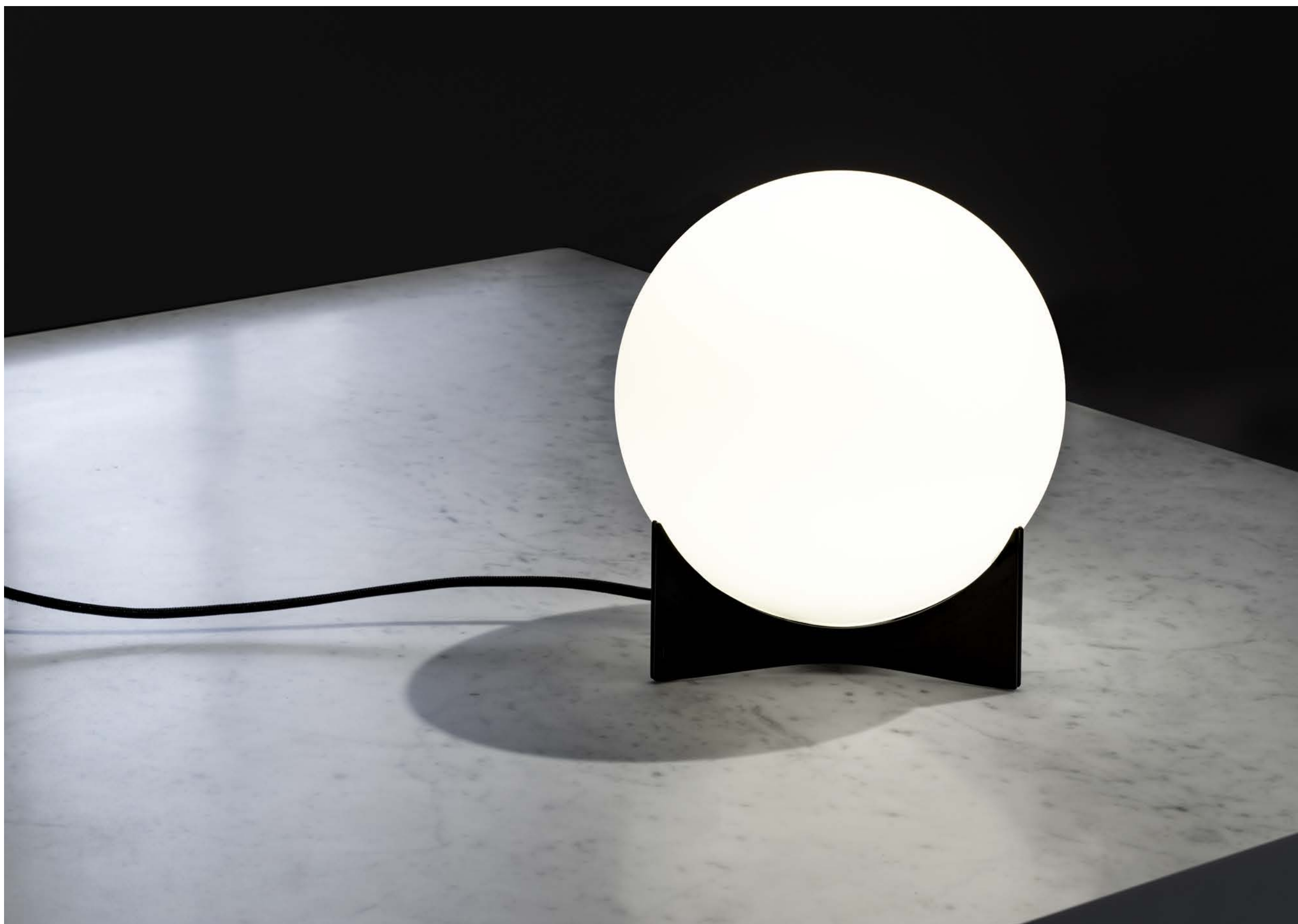
Different dimming options on request

Oscar, *a tribute.*

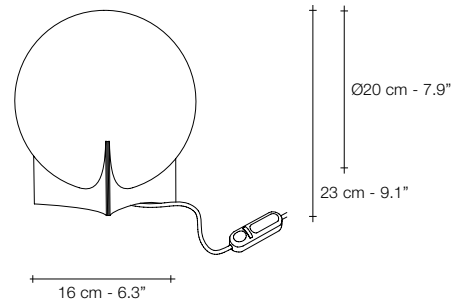
The great Brazilian architect Oscar Niemeyer once said about his work: “It’s not the right angle that attracts me, nor the straight line. Stiff, inflexible, created by men. What really attracts me is the free, sensual curve. The curve I see on the sinuous course of our rivers, on the clouds in the sky, on your favorite woman’s body. The universe is entirely made of curves”. Inspired to pay tribute to one of the founders of modern architecture, designer Dodo Arslan has created a series of lights named “Oscar”, which pay homage through their adoption of Niemeyer’s signature sensuous curves. Oscar table lamp consists of a glass orb delicately held by curved brass. Available in nickel, brass, black, white, gold plated and rose gold finish. Design Dodo Arslan.











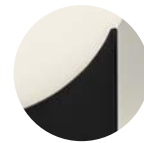
C02B



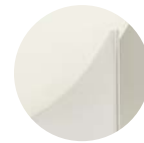
NICKEL PLATED | SATIN WHITE GLASS



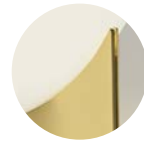
BRASS | SATIN WHITE GLASS



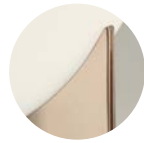
BLACK | SATIN WHITE GLASS



WHITE | SATIN WHITE GLASS



GOLD PLATED | SATIN WHITE GLASS



ROSE GOLD PLATED | SATIN WHITE GLASS

LIGHT SOURCE		C02B
230V	E14 LED	7W
	Dimmable	✓
120V	E12 LED	7W
	Dimmable	✓



Moiré, movement *with pattern.*

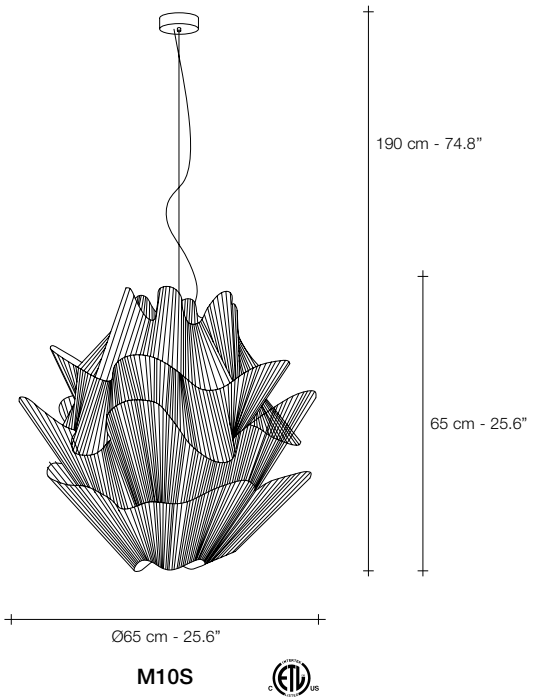
A French term derived from silk with a rippled or “watered” appearance, moiré is an optical effect that results in the illusion of waves or the movement of water. This effect is achieved by having an opaque, ruled pattern overlaid over another. Designer Christian Lava’s studies of this effect have led to his latest design aptly titled, Moiré. Using overlapping grids of metal, this LED pendant light dynamically changes shape following the viewer’s gaze, practically coming to life with a vibrating energy. Moiré is a mesmerizing addition to any room. Available in gold plated and nickel finish. Design Christian Lava.













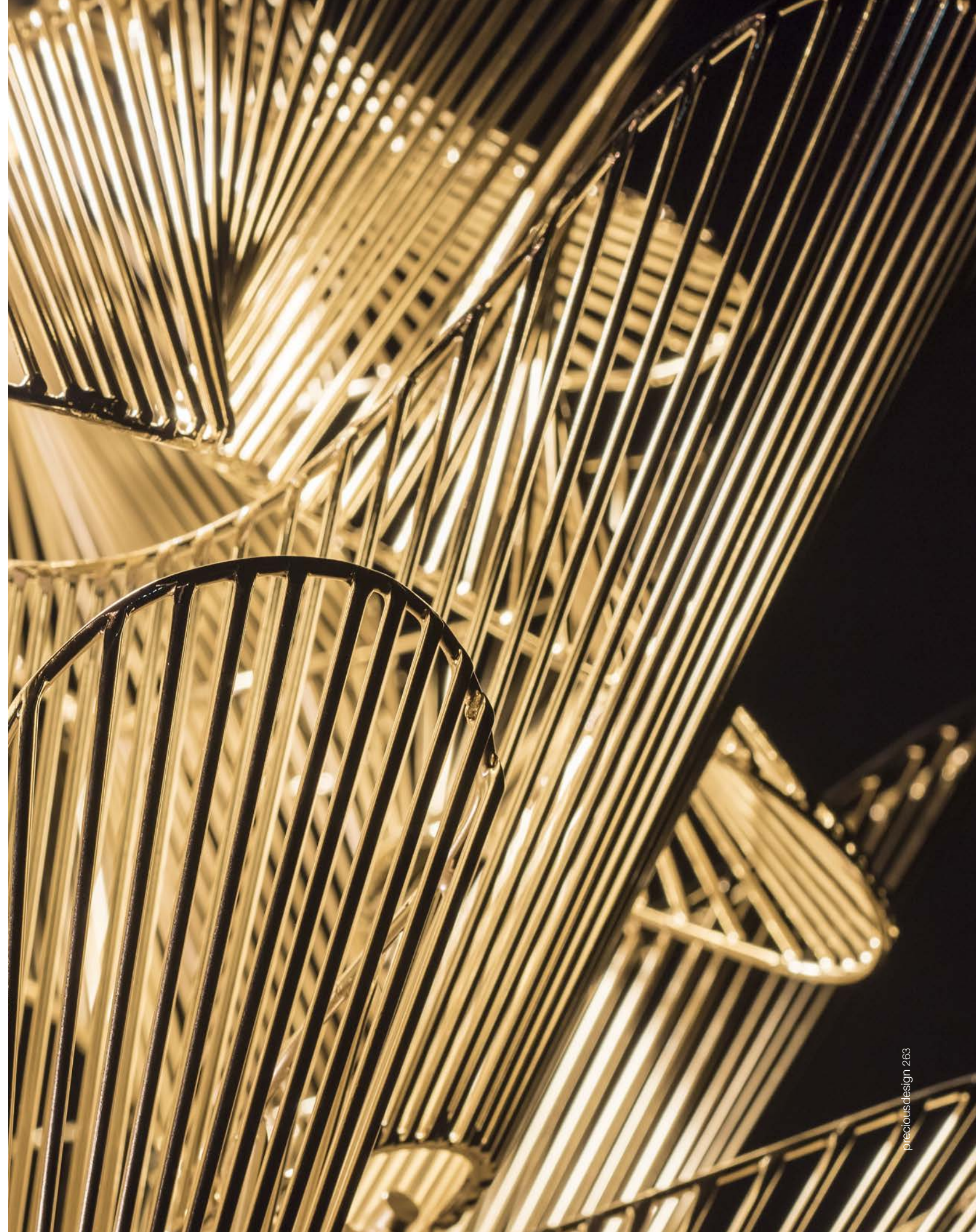
NICKEL
PLATED



GOLD
PLATED

LIGHT SOURCE		M10S
230V	 Replaceable LED module 3000K	15W 1952 lm
	Dimmable	1-10V PUSH/DALI
120V	 Replaceable LED module 3000K	15W 1952 lm
	Dimmable	1-10V PUSH

Different dimming options on request.



Doodle, Freehand *Design.*

We no longer march in a straight line. Our lives are dynamic, intertwining collections of relationships, experiences and journeys. Reflecting the fluidity of our generation, designer Simone Micheli has created a new, contemporary light for Terzani, Doodle. Like us, each Doodle is unique, each pendant is handcrafted by artisans to resemble a randomised path. And, to give us control over the journey we want to take, each led bulb can be placed anywhere on the light, not only reflecting the choices we make in life, but giving Doodle a special flexibility. Available in nickel, black amethyst, gold and copper plated finishes. Design Simone Micheli.

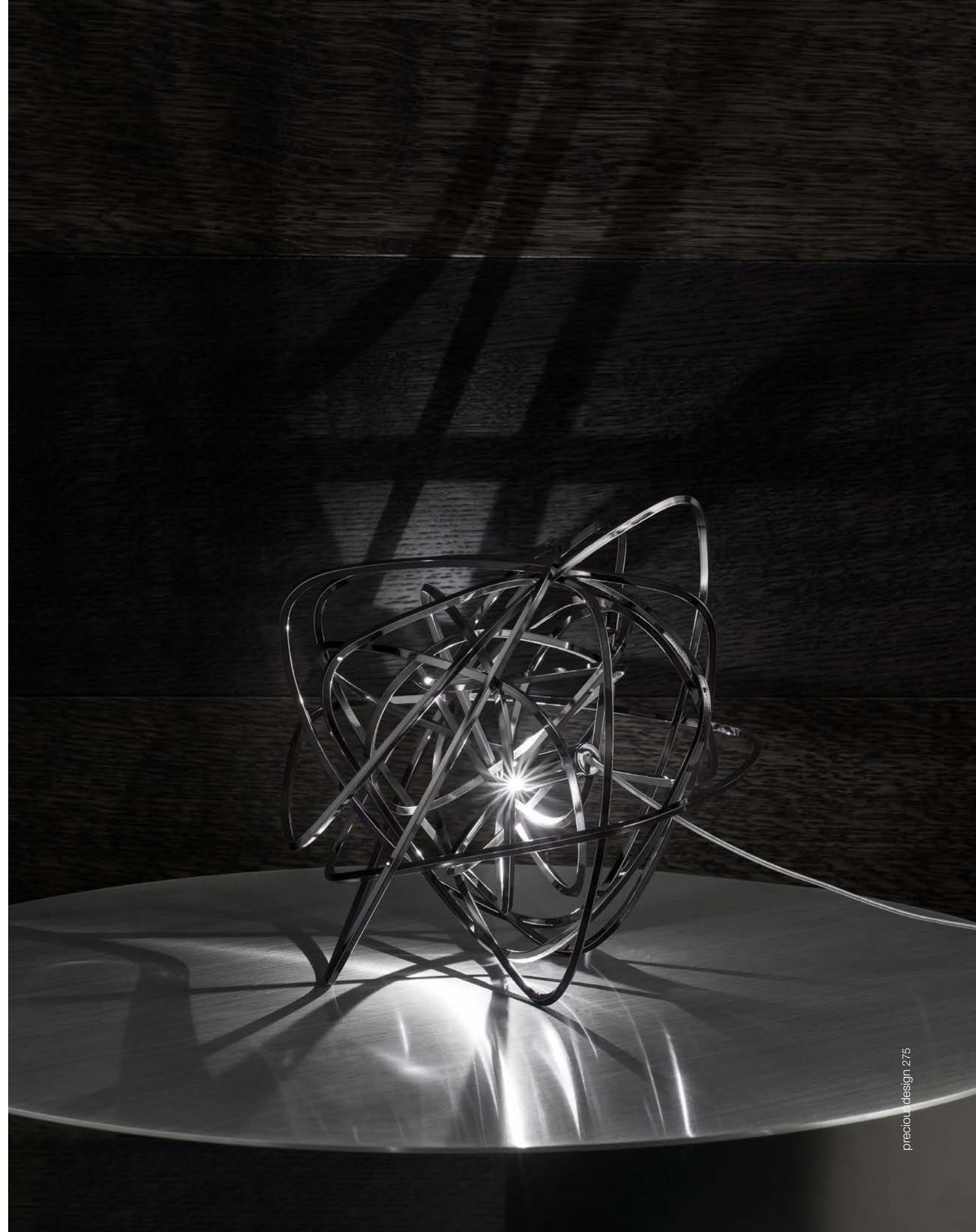






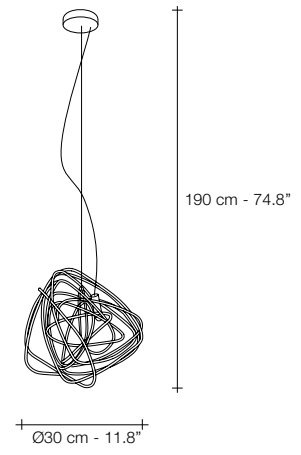




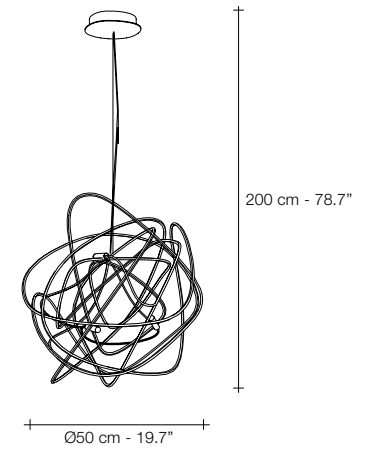




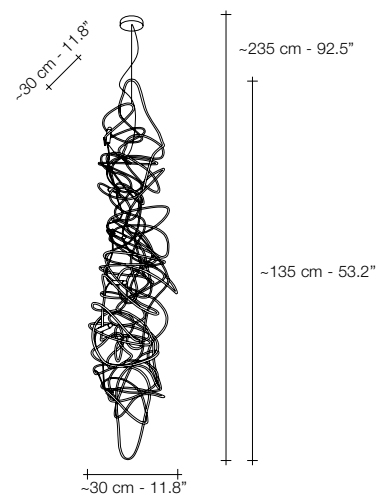




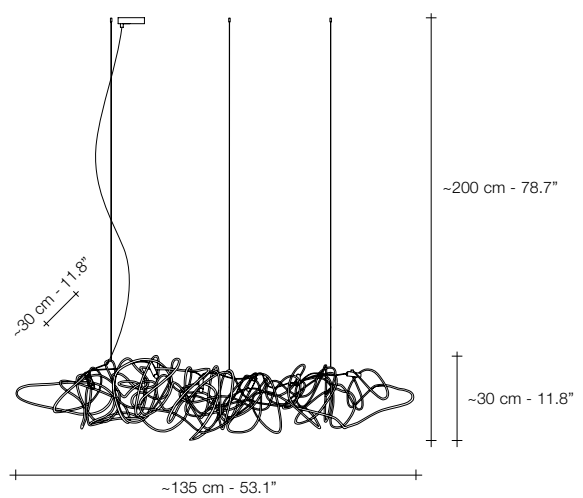
J80S



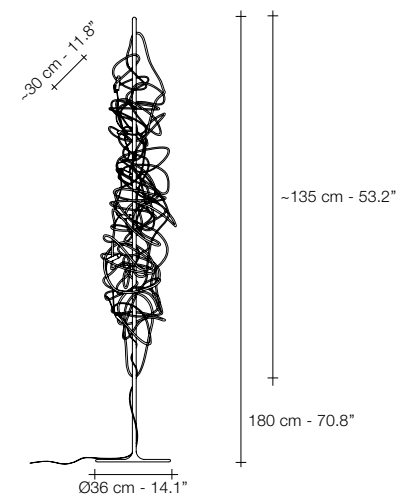
J93S



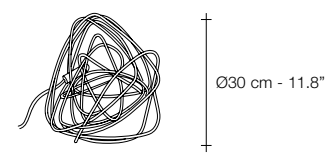
J87S



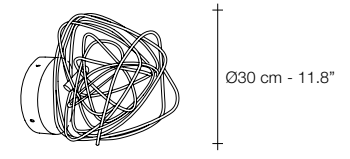
J81S



J86P
N/A in North America



J84B
N/A in North America

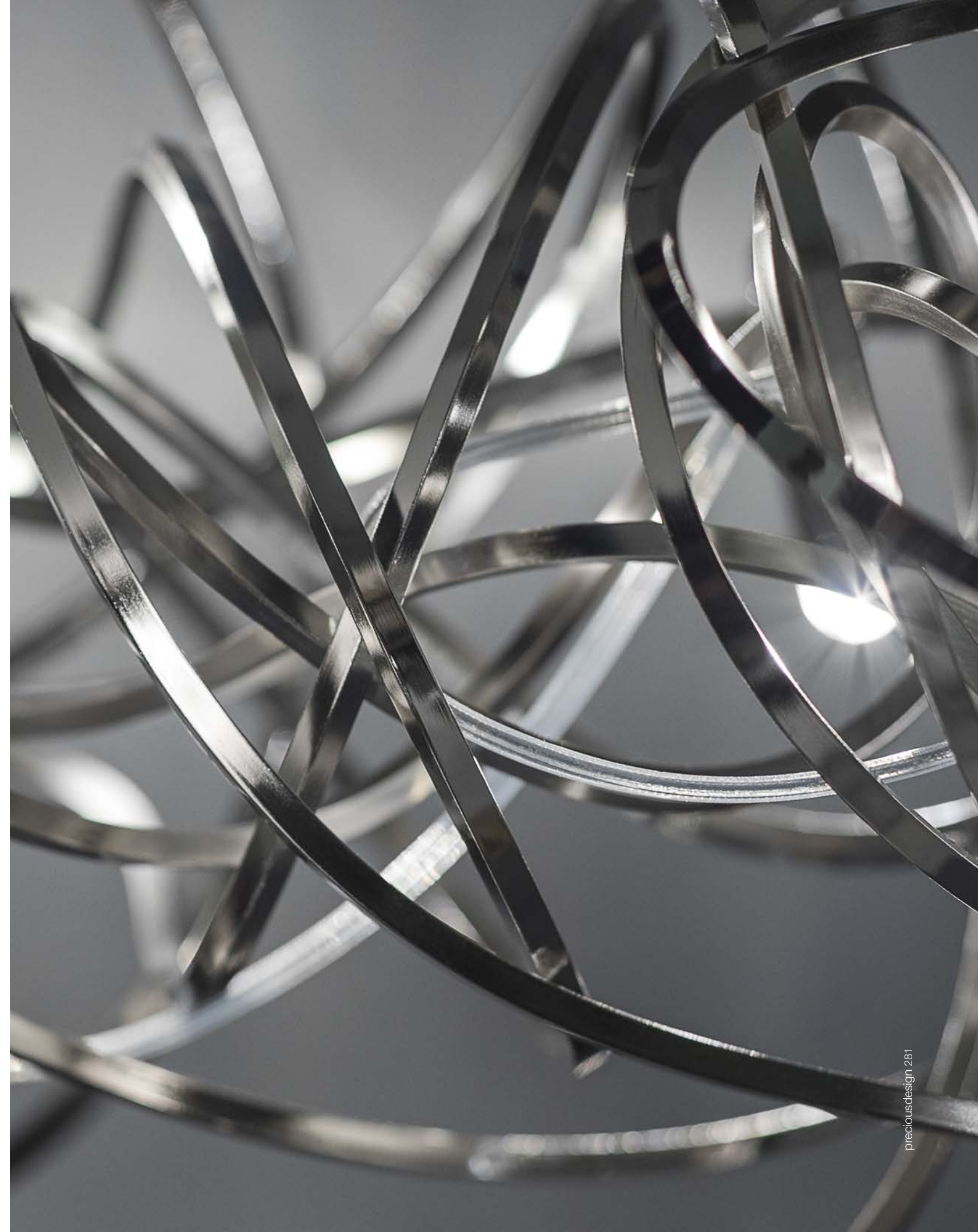


J82A



	LIGHT SOURCE	J80S	J93S	J87S	J81S	J86P	J84B	J82A
230V		2W	5x2W 2W	6x2W 2W	6x2W 2W	6x1,2W 1,2W	2W	2W
	Dimmable	0/1-10V 10-100kΩ PUSH/DALI	IGBT/DALI 1-10V PWM	IGBT/DALI 1-10V PWM	IGBT/DALI 1-10V PWM	no	no	0/1-10V 10-100kΩ PUSH/DALI
120V		2W	5x2W	6x2W	6x2W	-	-	2W
	Dimmable	no	ELV	ELV	ELV	-	-	ELV

Different dimming options on request



I Lucci Argentati, School of *Light.*

I Lucci Argentati draws from nature to create a whimsical, yet modern light. Recalling a school of fish darting through freshwater, it creates a mesmerizing luminescence. Sets of sleek elements combine to form a stunning pendant with thin incisions along the bottom creating an understated, tranquil beauty. Thanks to its modular system, I Lucci Argentati is customizable and can be combined in many different configurations: from small to extra large and finished either in brushed nickel, brushed gold or white. Design Dodo Arslan.





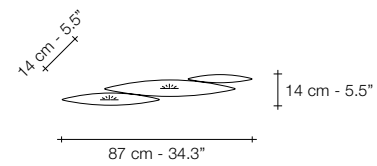
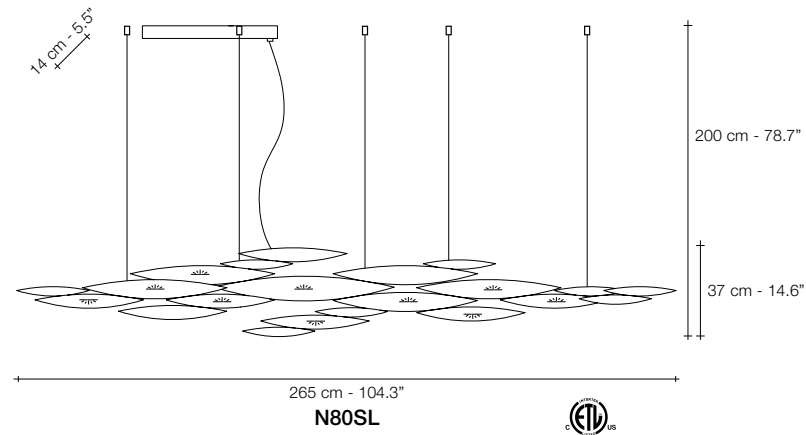
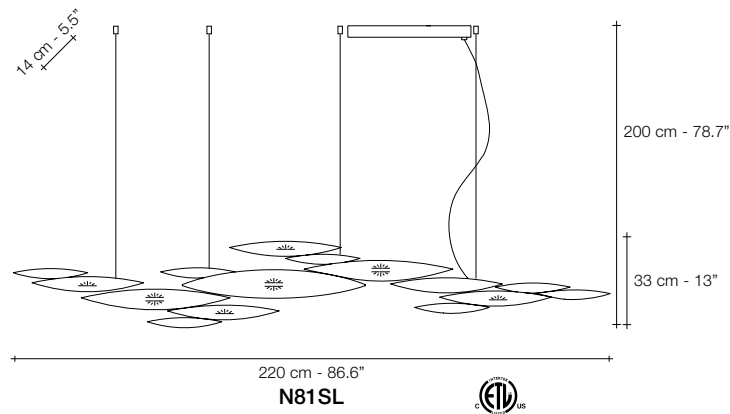
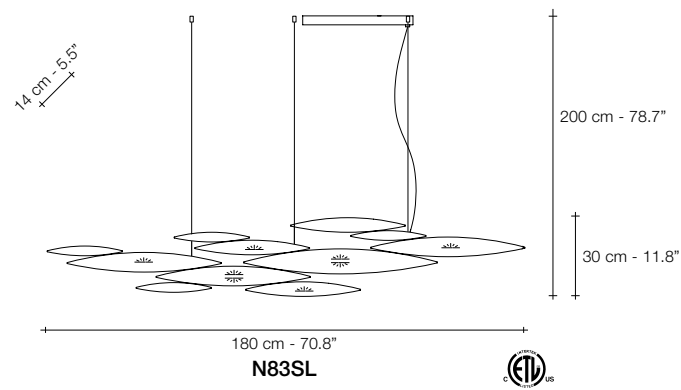
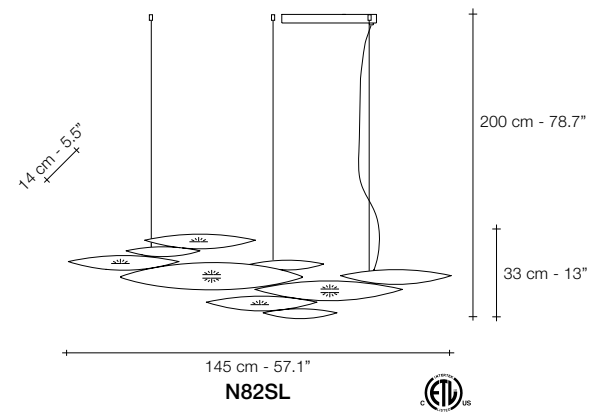








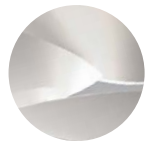




N85ALB



BRUSHED
NICKEL PLATED



WHITE



BRUSHED
GOLD PLATED

	N82SL	N83SL	N81SL	N80SL	N85ALB	
230V	LIGHT SOURCE	N82SL	N83SL	N81SL	N80SL	N85ALB
	Replaceable LED module	7x4,5W	8x4,5W	10x4,5W	10x4,5W	2x4,5W
	CRI 90 3000K 2700K	4632 lm 4200 lm	5294 lm 4800 lm	6617 lm 6000 lm	6617 lm 6000 lm	1323 lm 1200 lm
Dimmable	0-10V PWM PUSH/DALI	0-10V PWM PUSH/DALI	0-10V PWM PUSH/DALI	0-10V PWM PUSH/DALI	0/1-10V PUSH/DALI	
120V	LIGHT SOURCE	N82SL	N83SL	N81SL	N80SL	N85ALB
	Replaceable LED module	7x4,5W	8x4,5W	10x4,5W	10x4,5W	2x4,5W
	CRI 90 3000K 2700K	4632 lm 4200 lm	5294 lm 4800 lm	6617 lm 6000 lm	6617 lm 6000 lm	1323 lm 1200 lm
Dimmable	TRIAC	1-10V PWM 10-100kΩ	1-10V PWM 10-100kΩ	1-10V PWM 10-100kΩ	no	

I Lucci Argentati available with integrated LED 3000K or 2700K. Different dimming options on request.



Core, Eruption *of Light.*

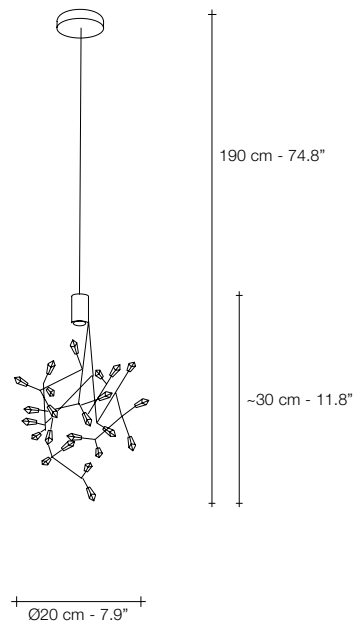
Core, designed by Christian Lava, is reminiscent of the natural energy at the heart of our world. Like bright lava seeping through the earth's crust, vibrant spheres of faceted glass break through the iron surface of this pendant. Forcing light to pass through this metal structure results in a powerful, vibrant exchange of forces light and shadow erupt across the room, as the led light pours through, as the light itself emits an organic radiance. Available in nickel, black nickel and gold plated finishes. Design Christian Lava.



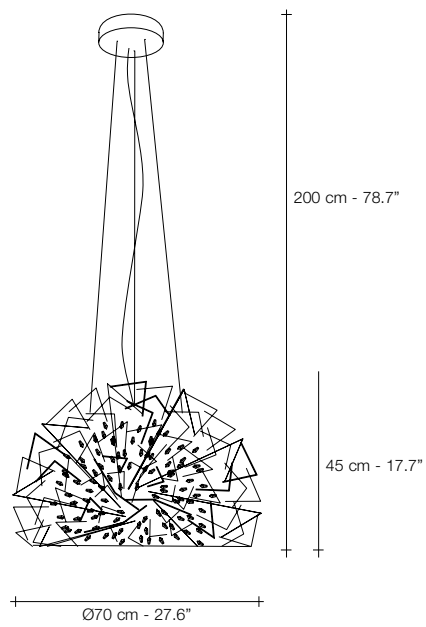




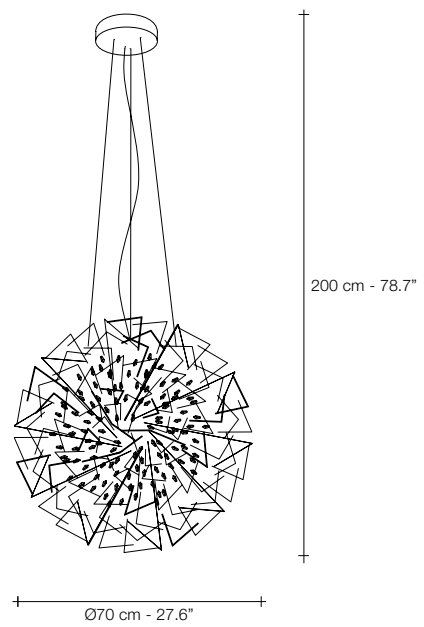




P22S



P21S



P20S



NICKEL PLATED | CLEAR GLASS



BLACK NICKEL PLATED | CLEAR GLASS



GOLD PLATED | CLEAR GLASS

VOLTAGE	LIGHT SOURCE	P22S		P21S		P20S	
		230V	Replaceable LED module 3000K 2700K	2.1W 194 lm 172 lm	18W 1640 lm 1570 lm	18W 1640 lm 1570 lm	1-10V PUSH/DALI
120V	Replaceable LED module 3000K 2700K	2.1W 194 lm 172 lm	18W 1640 lm 1570 lm	18W 1640 lm 1570 lm	1-10V PUSH	1-10V PUSH	

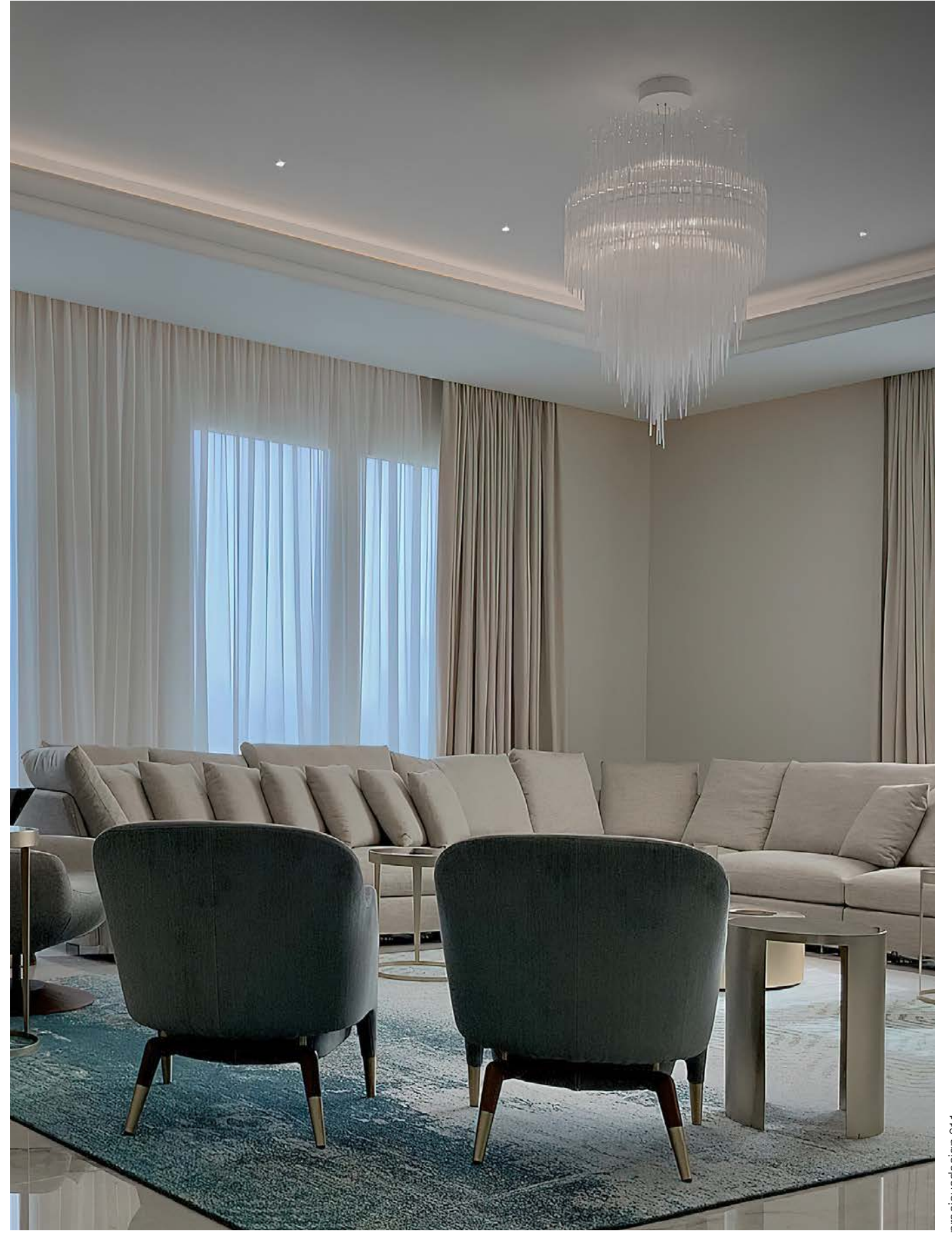
Core available with integrated LED 3000K or 2700K. Different dimming options on request.

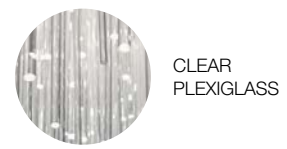
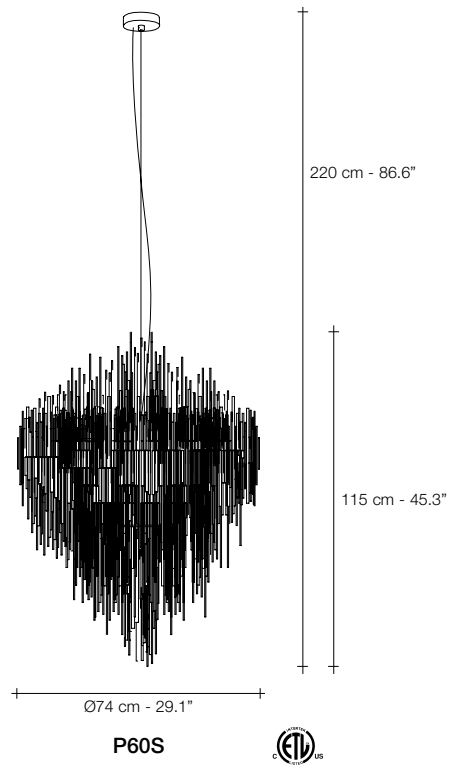


Iceberg, Pure *Light.*

Inspired by the natural beauty of ice crystals, this new suspension light creates a spectacular, luminous piece through the use of over 4086 plexyglass tubes. Similar to light refracting through water, the illumination created by Iceberg is both brilliant and natural, meticulously handcrafted, each light is a unique sculpture; sparkling, multifaceted and powerful. Design Dodo Arslan.







LIGHT SOURCE		P60S	
230V		E14 LED	6x6W
		E27 LED	8W
		Dimmable	✓
120V		E12 LED	6x5.5W
		E26 LED	8W
		Dimmable	✓



Frame, Nature's *Imprint.*

Capturing a moment in time, Frame features a metal coral leaf, enclosed inside a borosilicate glass preserving a delicate imprint of nature. Hidden inside is a single bulb which glows from within. Creating a stirring light that projects a dynamic shadow due to the permeable coral. Frame is available in white, red, gold plated or silver plated. Design Terzani Lab.

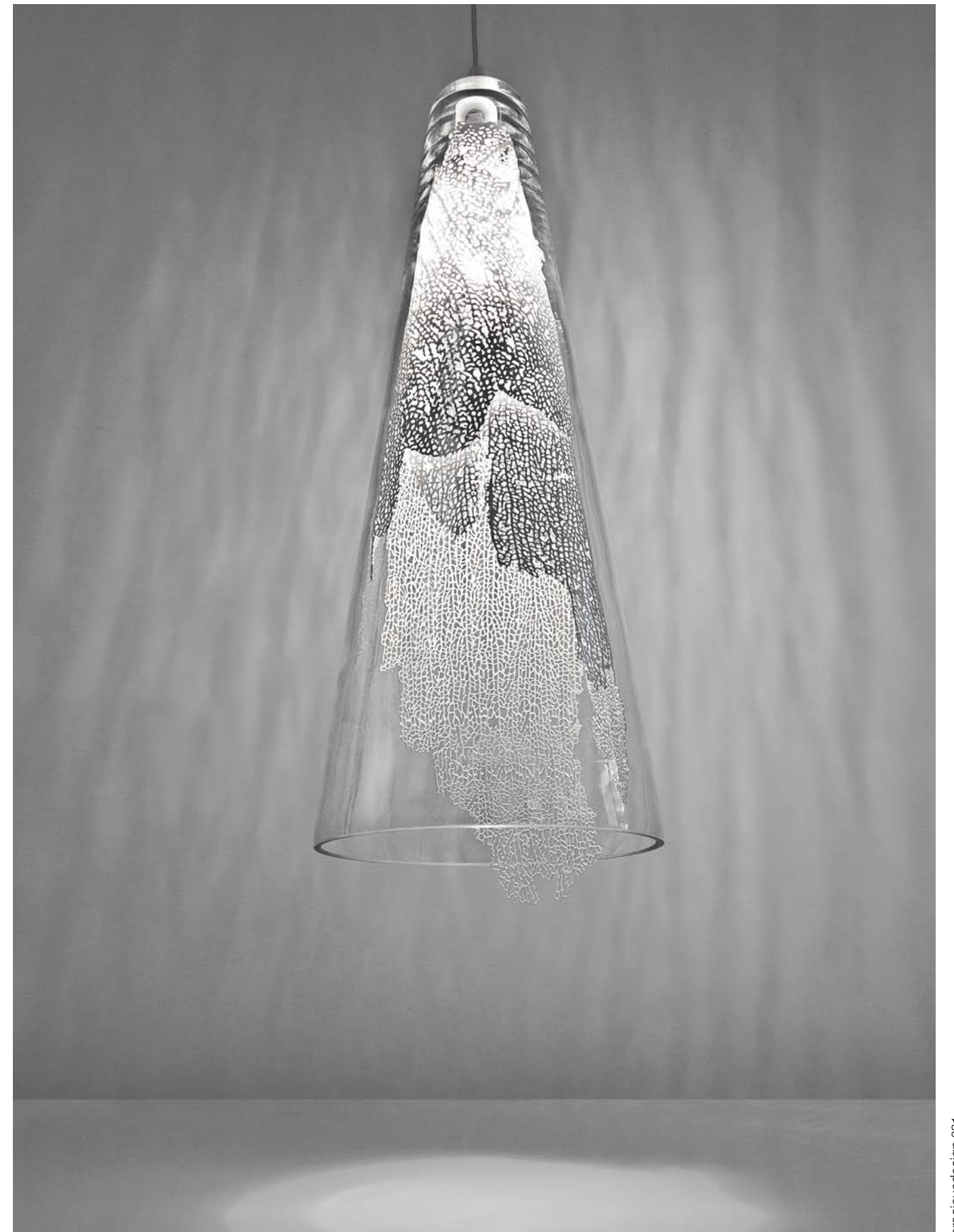


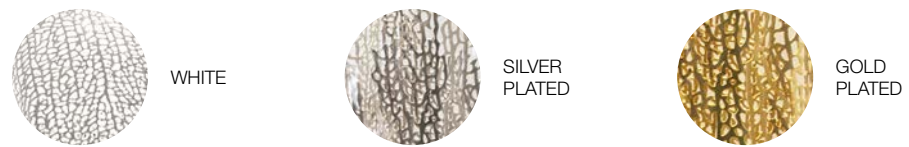
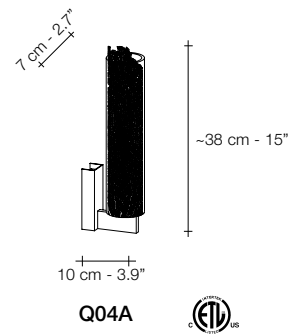
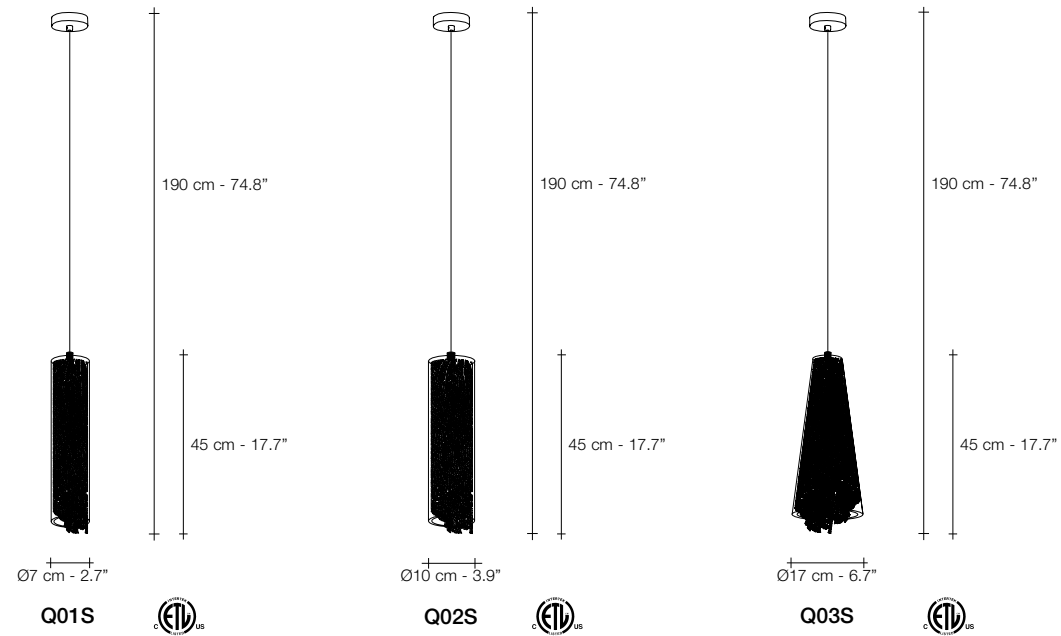






White and clear





		LIGHT SOURCE					LIGHT SOURCE		
		Q01S	Q02S	Q03S			Q04A		
230V		E14 LED	4W	4W	4W	230V		G9 LED	3,5W
		Dimmable	✓	✓	✓			Dimmable	✓
120V		E12 LED	4W	4W	4W	120V		G9 LED	4W
		Dimmable	✓	✓	✓			Dimmable	✓



Calle, Perennial *Elegance.*

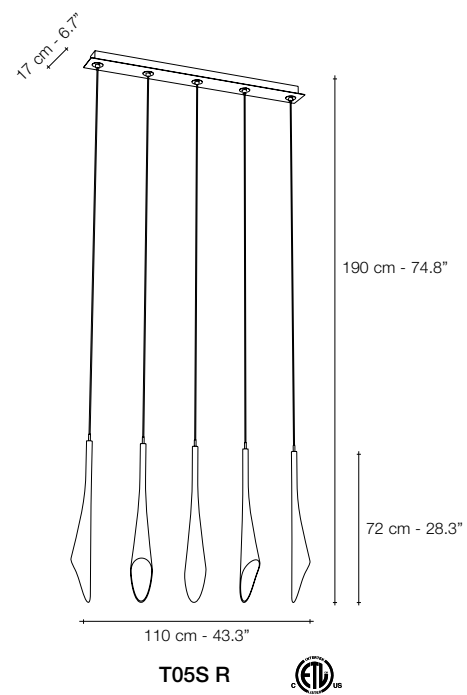
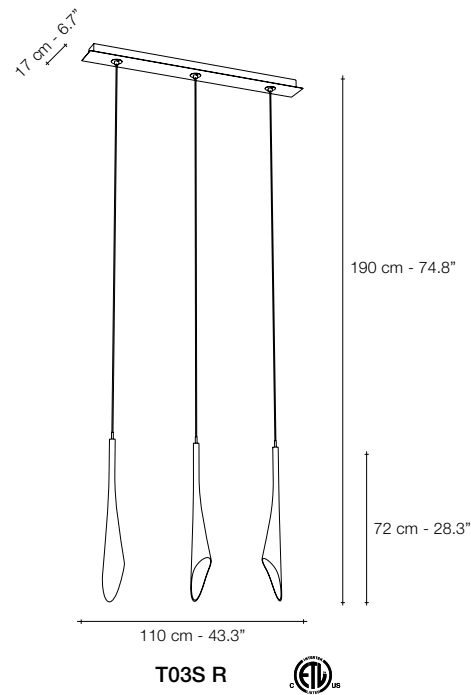
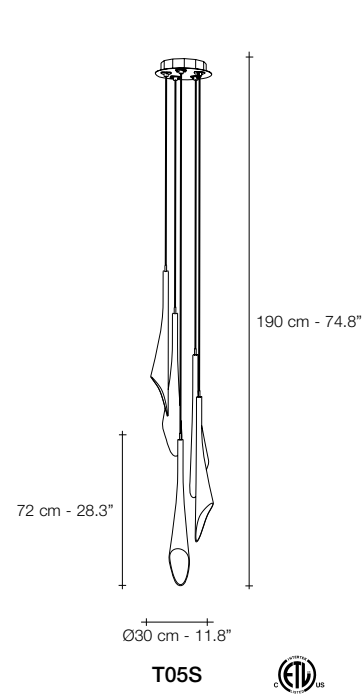
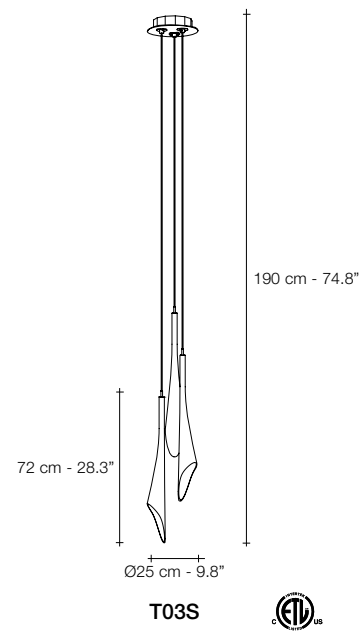
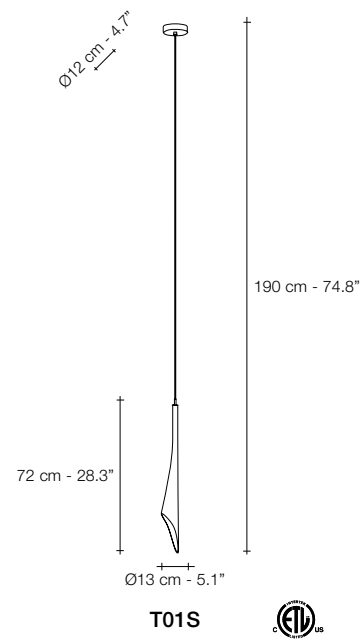
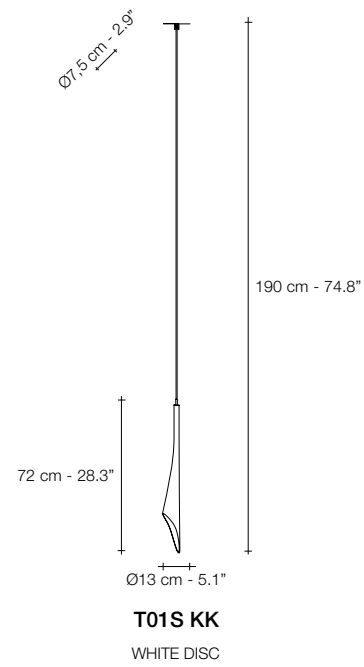
At Terzani, we spend countless days searching the globe for talented new designers, but sometimes they find us. Such is the case with the young designers Luca Martorano and Mattia Albicini (Draw studio) who approached us with the design for Calle, a fantastic new light we instantly fell in love with. It showcases our skill at crafting crystal to take the material to an exciting, modern place. Luca and Mattia worked with our raftsmen to create a slender inverted flute of crystal that, like the calla lily it mimics, can be grouped into stunning bouquets of light. Design Draw.











WHITE |
CLEAR CRYSTAL

	T01S KK	T01S	T01S	T03S	T05S	T03S R	T05S R
230V							
	G4 LED	2W	2W	3x2W	5x2W	3x2W	5x2W
	G4 HALOGEN	20W	20W	3x20W	5x20W	3x20W	5x20W
	Dimmable	IGBT 0/1-10V 10-100kΩ PUSH/DALI	IGBT TRIAC DALI	DALI	IGBT DALI	IGBT DALI	IGBT 1-10V PWM DALI
120V							
	G4 LED	2W	2W	3x2W	5x2W	3x2W	5x2W
	G4 XENON	20W	20W	3x20W	5x20W	3x20W	5x20W
	Dimmable	ELV	ELV	-	ELV	ELV	ELV

Different dimming options on request

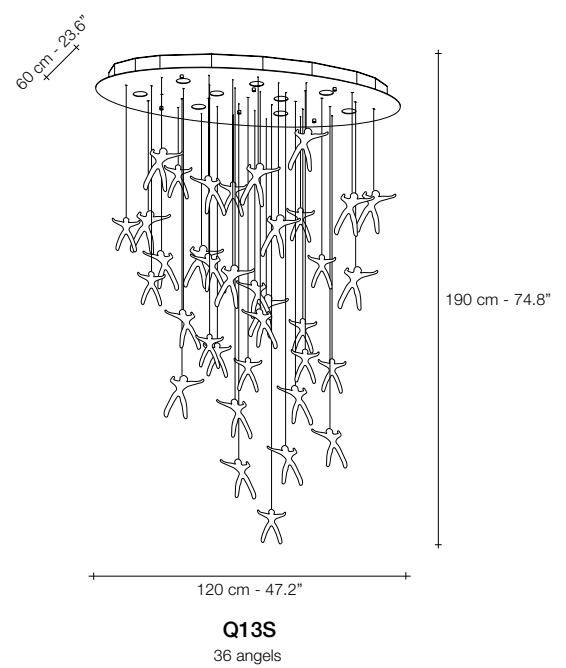
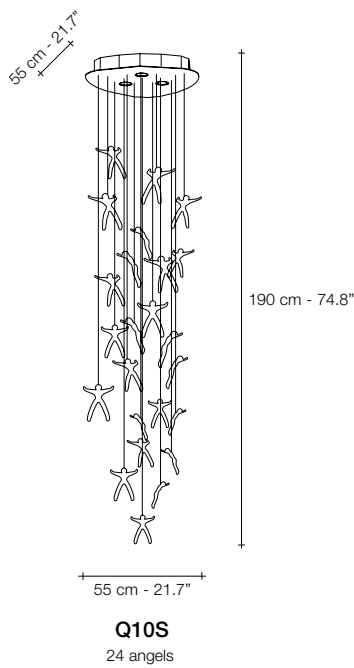
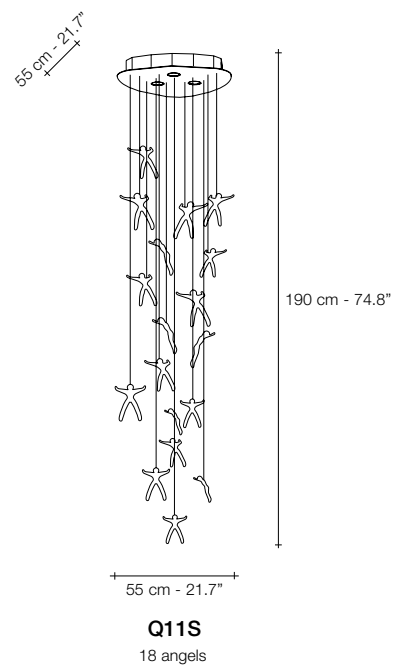
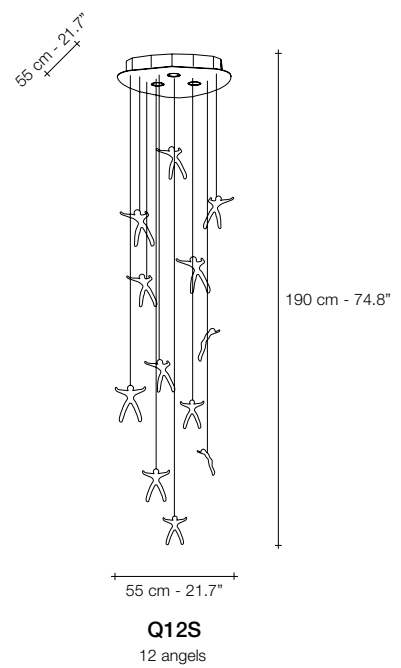
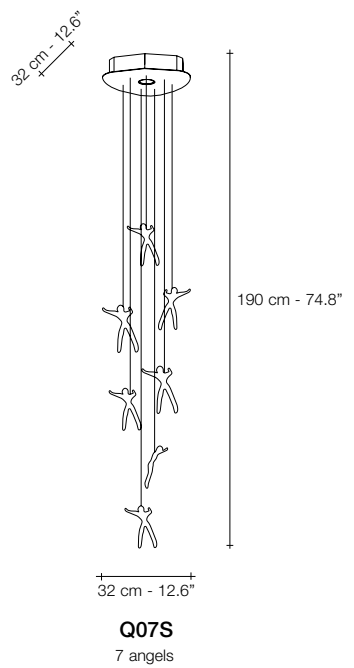


Angel Falls, Cast down *Earth.*

For his work for Terzani, Nigel Coates, well known for his unorthodox approach to design, has created an engaging, unique light. Customizable groups of hand made crystal “angels” are illuminated by halogen or led lamps. What caused these angels to fall from the heavens? It’s up to the viewers to decide. Either way, Angel Falls is sure to garner attention, and generate conversation, in any setting. Design Nigel Coates.







CRYSTAL

LIGHT SOURCE		Q07S	Q12S	Q11S	Q10S	Q13S
230V	GU10 LED	5W	3x5W	3x5W	3x5W	9x4W
	Dimmable	✓	✓	✓	✓	✓
120V	GU10 LED	7W	3x7W	3x7W	3x7W	9x6W
	Dimmable	✓	✓	✓	✓	✓

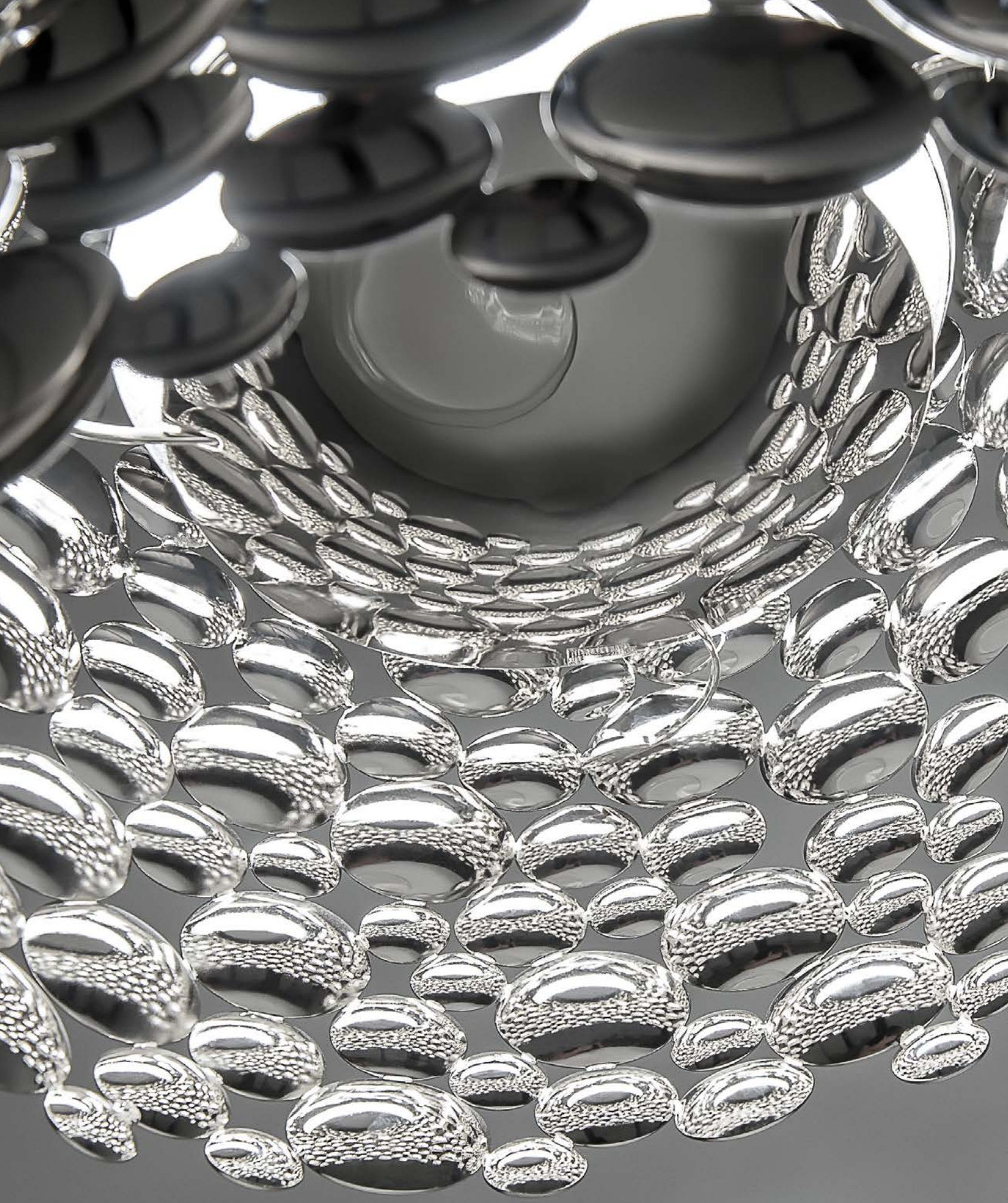


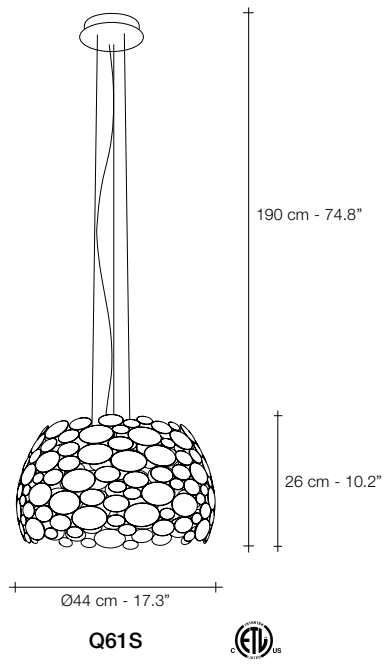
Anish, Playing *Spoons.*

A playful study of reflection, the idea for Anish was born when designer Dodo Arslan, while playing with his daughter, became fascinated by the almost infinite reflections spoons unleashed due to their concave and convex surfaces. Taking this idea to a larger scale, Dodo took inspiration from Italian flatware manufacturer Sambonet and created a pendant composed of a range of spoons from the smallest teaspoon to serving spoons which magnifies the reflective quality of this shape. The result is an installation that creates a “galaxy” effect of seemingly endless light. Design Dodo Arslan.

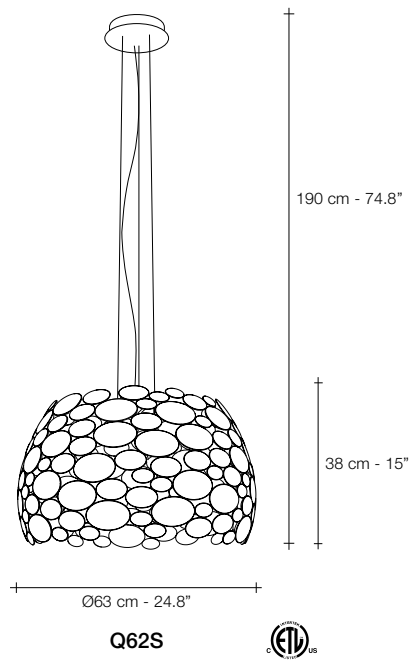




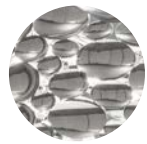




Q61S



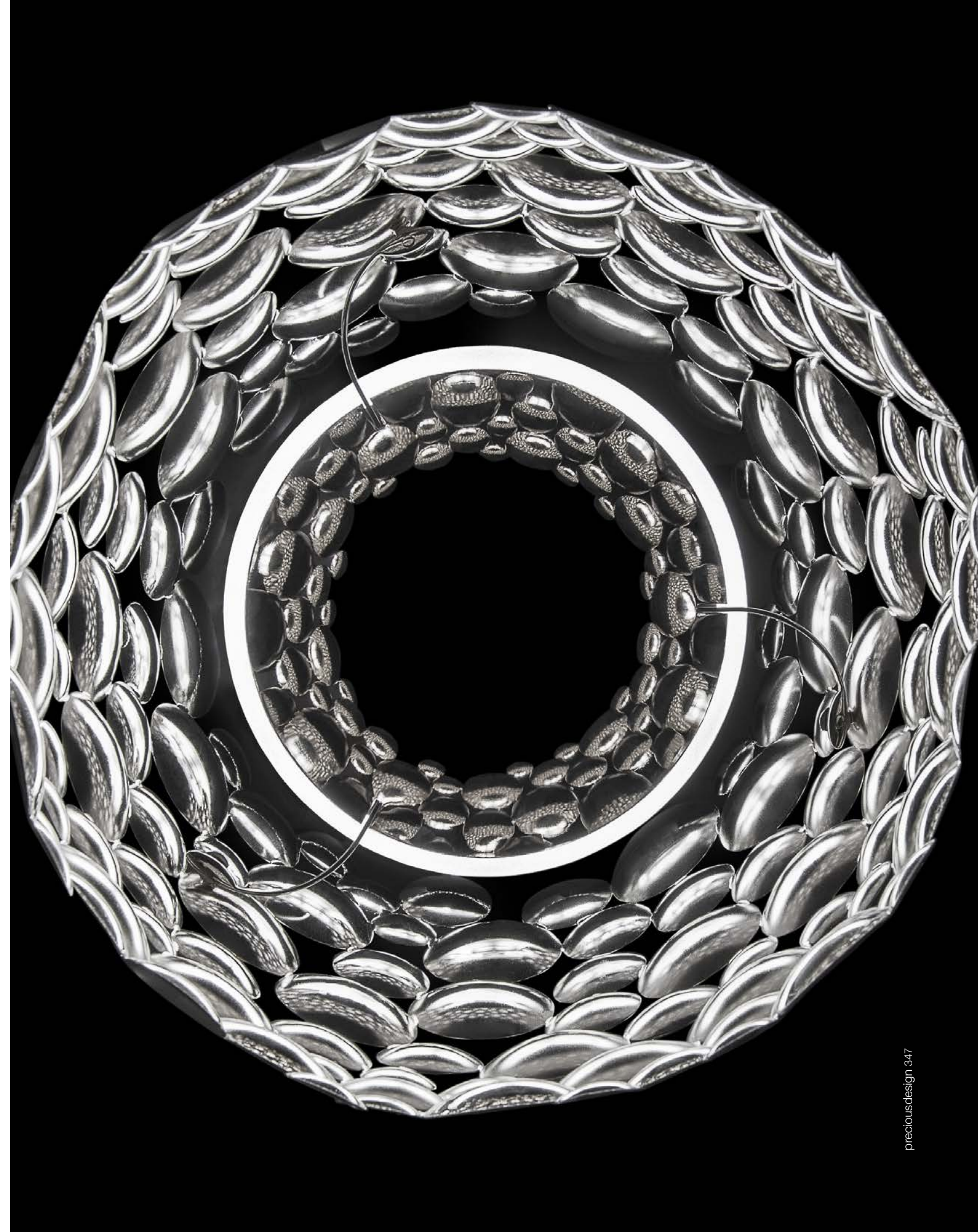
Q62S



NICKEL
PLATED

	Q61S	Q62S
230V	Replaceable LED module CRI 90 3000K 2700K	6x4.5W 3970 lm 3600 lm
	Dimmable 0/1-10V PWM 10-100kΩ PUSH/DALI	6x4.5W 3970 lm 3600 lm
120V	Replaceable LED module CRI 90 3000K 2700K	6x4.5W 3970 lm 3600 lm
	Dimmable 1-10V PWM 10-100kΩ	6x4.5W 3970 lm 3600 lm

Anish available with integrated LED 3000K or 2700K. Different dimming options on request.



G.r.a, gyrating Romantic *rings of Light.*

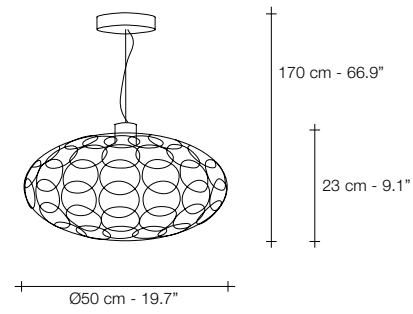
This clean, precise form is the result of hours of labor by our artisans, who meticulously weld each ring together. G.r.a is a delicate, refined pendant whose intricate shape belies its romantic glow. Available as an oval or a sphere, and finished in nickel, gold plated or gold leaf, G.r.a serves as an elegant, unobtrusive complement to any room. Available in nickel, gold plated and gold leaf finishes. Design Bruno Rainaldi.



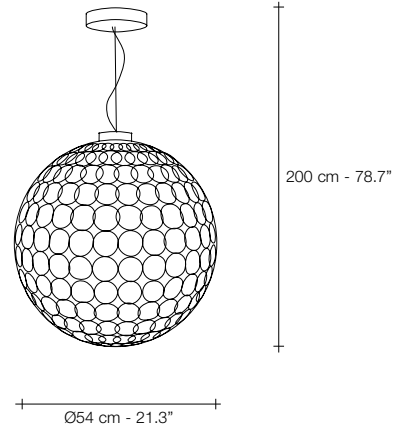




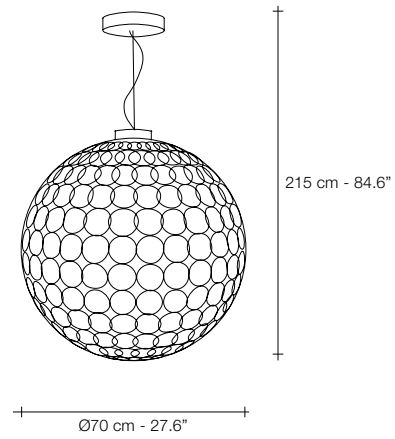




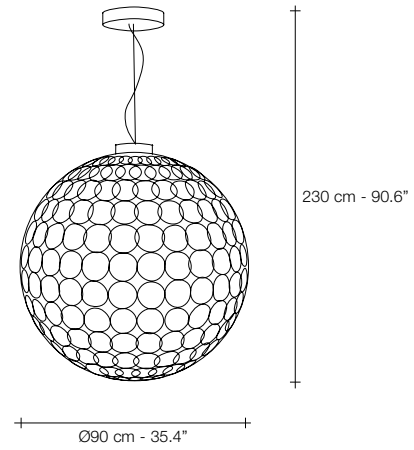
N41S L



N43S L



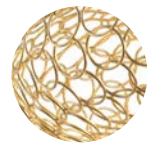
N42S L



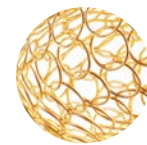
N40S L



NICKEL PLATED



GOLD LEAF



GOLD PLATED

230V	Replaceable LED module CRI 90 3000K 2700K	N41S L	N43S L	N42S L	N40S L
		18W	18W	18W	18W
	1640 lm 1570 lm	1640 lm 1570 lm	1640 lm 1570 lm	1640 lm 1570 lm	1640 lm 1570 lm
	Dimmable	1-10V PUSH/DALI	1-10V PUSH/DALI	1-10V PUSH/DALI	1-10V PUSH/DALI

120V	Replaceable LED module CRI 90 3000K 2700K	N41S L	N43S L	N42S L	N40S L
		18W	18W	18W	18W
	1640 lm 1570 lm	1640 lm 1570 lm	1640 lm 1570 lm	1640 lm 1570 lm	1640 lm 1570 lm
	Dimmable	1-10V PUSH	1-10V PUSH	1-10V PUSH	1-10V PUSH

G.r.a. available with integrated LED 3000K or 2700K. Different dimming options on request.

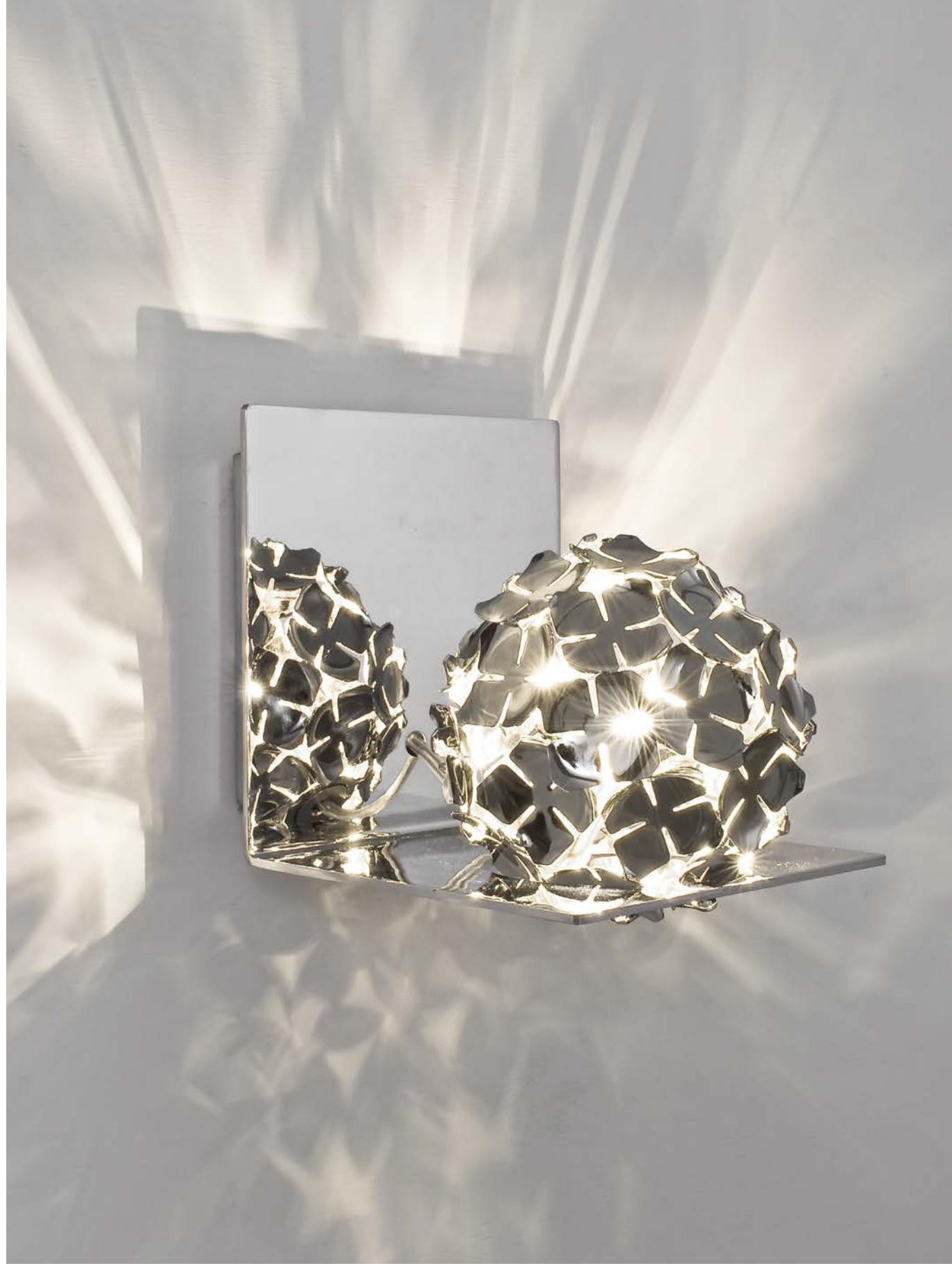


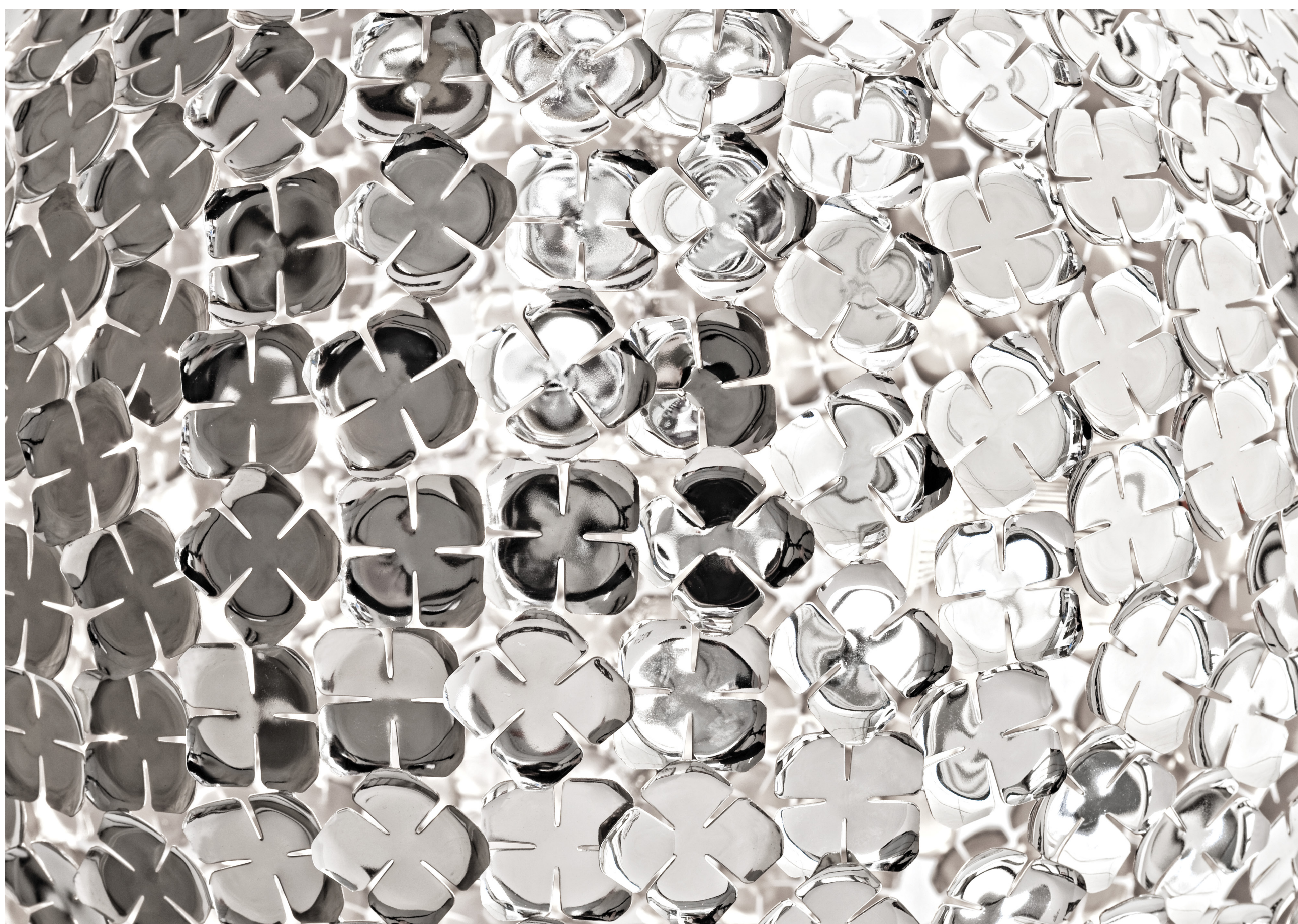
Orten'zia, Petals of *Light.*

Recalling the natural beauty of a flower, Orten'zia hand-soldered "petals" emanate a unique glow, immersing the entire room in a glimmering light. An organic radiance is created through light and shadow, planting a garden within the room. Available in either nickel or gold plated, the Orten'zia's elegant form complements its dramatic light. Available in nickel and gold plated finishes. Design Bruno Rainaldi.

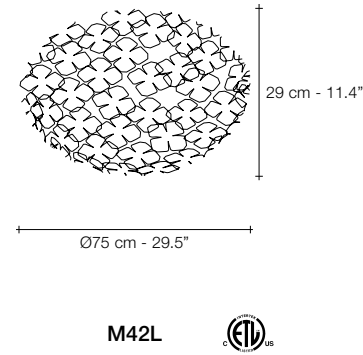
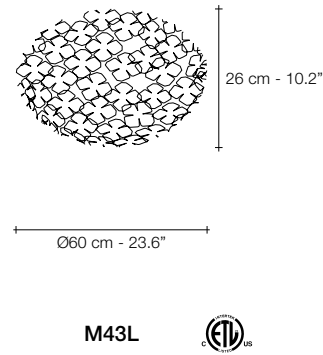
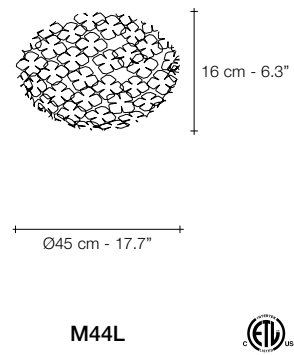
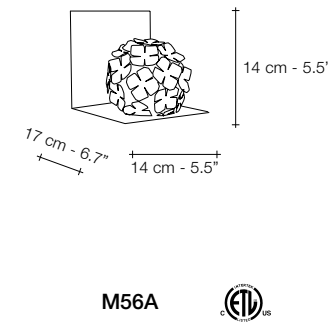
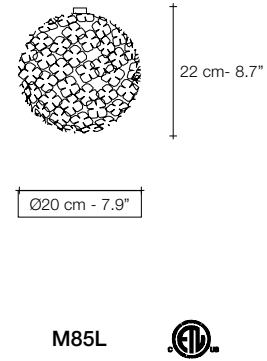
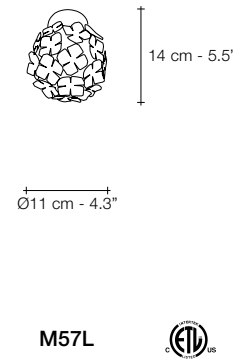
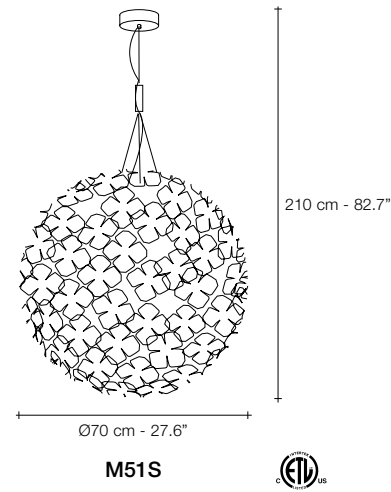
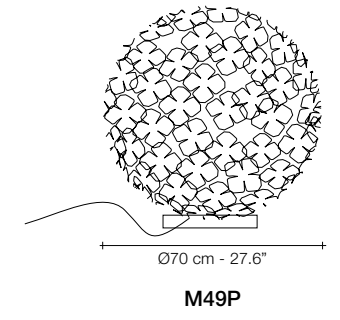
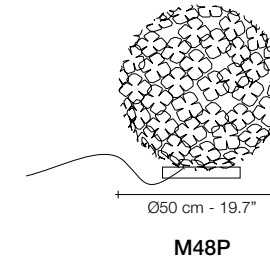
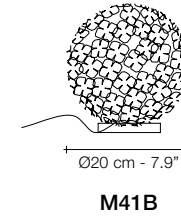
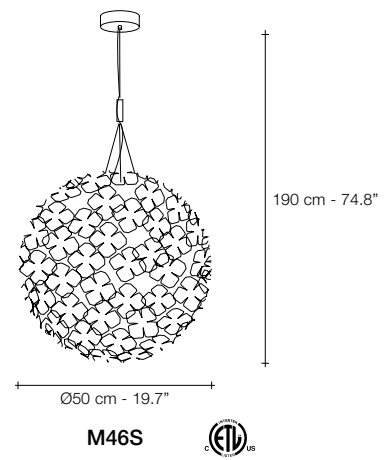
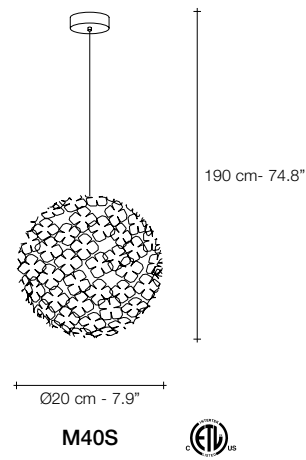
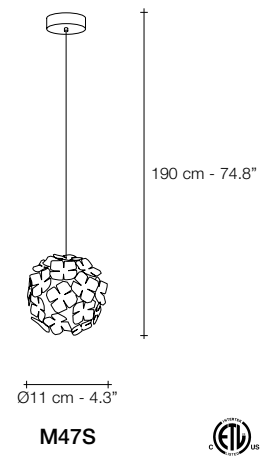










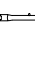
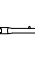








	LIGHT SOURCE	M40S	M41B
230V	 E14 LED	4W	4W
	Dimmable	✓	✓
120V	 E12 LED	4W	4W
	Dimmable	✓	✓

	LIGHT SOURCE	M46S	M43L	M42L	M48P	M49P
230V	 E27 LED	15W	11W	15W	11W	15W
	Dimmable	✓	✓	✓	✓	✓
120V	 E26 LED	15W	11W	15W	11W	15W
	Dimmable	✓	✓	✓	✓	✓

	LIGHT SOURCE	M44L
230V	 R7s HALOGEN	120W
	Dimmable	✓
120V	 R7s HALOGEN	150W
	Dimmable	✓

	LIGHT SOURCE	M47S	M57L	M85L	M56A
230V	 G9 LED	3,5W	3,5W	4W	3,5W
	Dimmable	✓	✓	✓	✓
120V	 G9 LED	4W	4W	5W	4W
	Dimmable	✓	✓	✓	✓

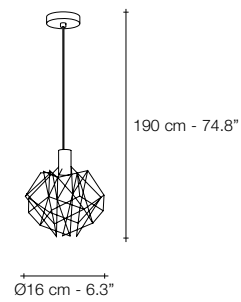
Etoile, Twinkling in an *indoor Sky.*

Etoile's intricate network of intersecting nickel lines recalls constellations in a clear night sky. Strategically placed bulbs cast a starry light, twinkling as viewers move around the pendant. Through projecting these complex patterns throughout the room, Etoile casts a heavenly glow in any space. Design Christian Lava.

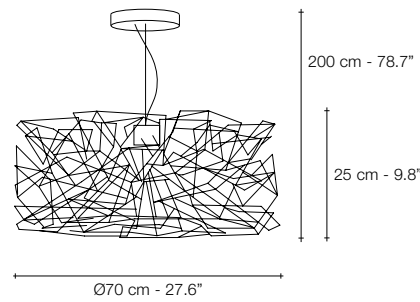




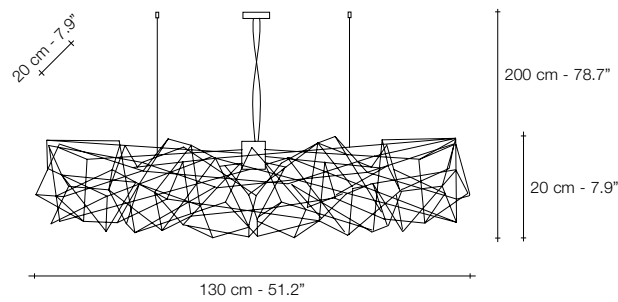




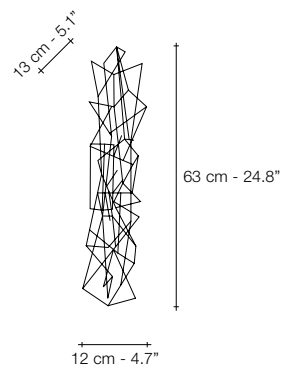
P05S



P01S



P04S



P03A



NICKEL
PLATED

LIGHT SOURCE OPTIONS		P05S	P05S	P01S	P01S	P04S	P04S	P03A
230V	G4 HALOGEN	2W	3W	8x10W	16x1,2W	8x20W	8x2W	6x10W
	G4 LED	20W	10W	8x20W	10-100kΩ	8x2W	8x2W	6x2W
	Dimmable	IGBT TRIAC	DALI	IGBT TRIAC	0/1-10V PWM 10-100kΩ PUSH/DALI	0/1-10V IGBT TRIAC	10-100kΩ PUSH/DALI	IGBT
120V	G4 XENON	20W	-	8x10W	-	8x20W	6x10W	6x10W
	G4 LED	2W	-	8x20W	-	8x2W	6x2W	6x2W
	Dimmable	ELV	-	IGBT	-	IGBT TRIAC	ELV	ELV

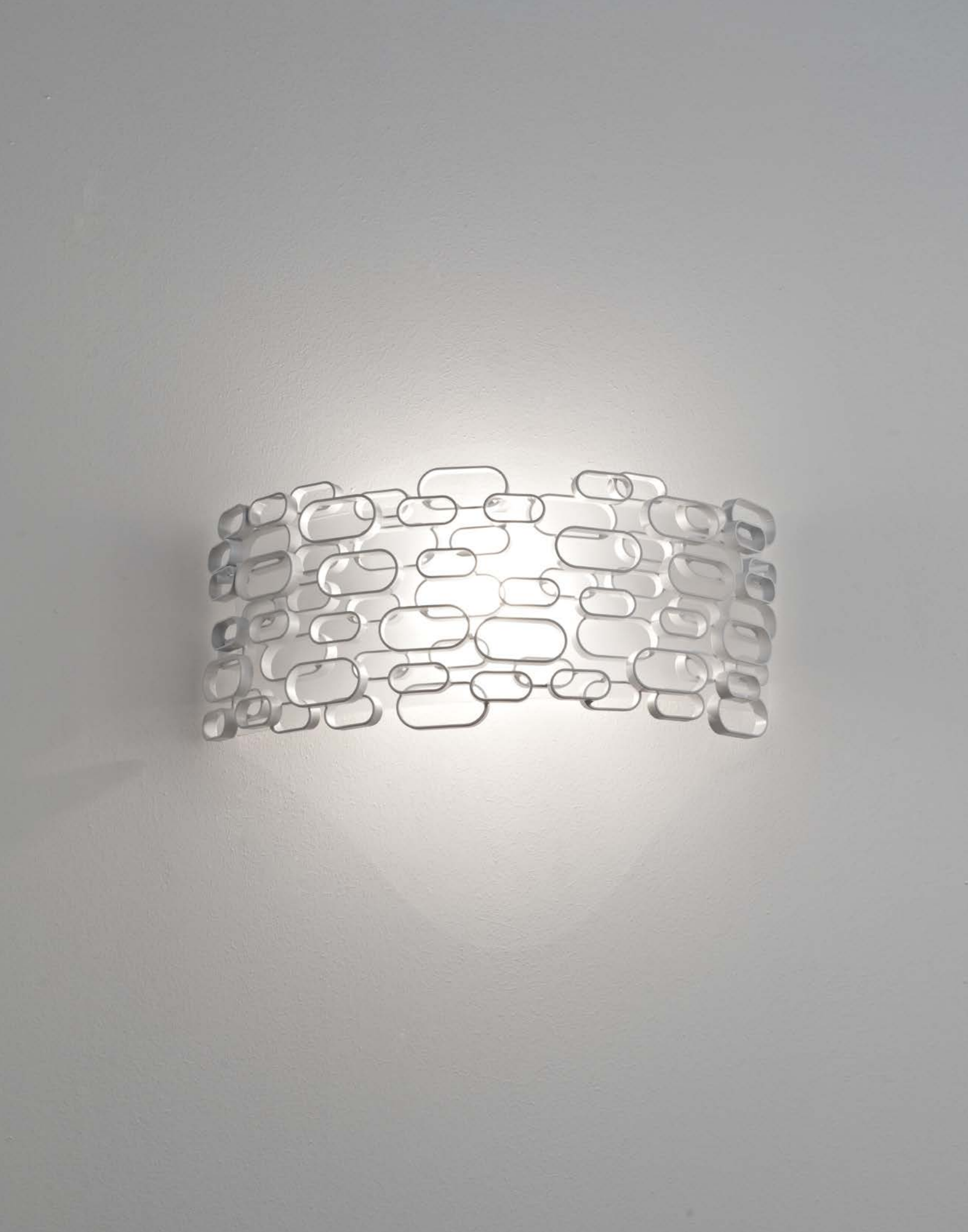
Etoile available with LED light source on request. Different dimming options on request.



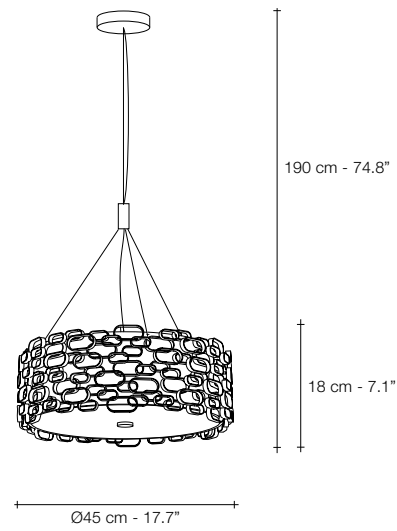
Glamour, Modern *Seduction.*

Glamour's randomly interspersed rings imbue this design with a seductiveness rarely applied to geometric shapes. Whether finished in gold, nickel or white, the diffused light emanating behind Glamour's rings bathes the surrounding area in a soft, sensuous glow. Available as a wall sconce, ceiling lamp or pendant, Glamour can provide subtle accents or act as the focal point of a room. Available in nickel, gold plated and white finishes. Design Dodo Arslan.

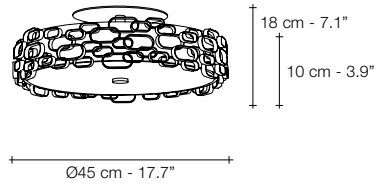




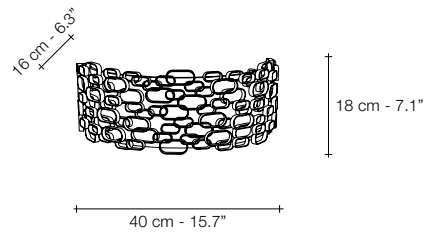




N16S 



N17L 







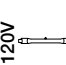

N18A 



NICKEL PLATED



GOLD PLATED

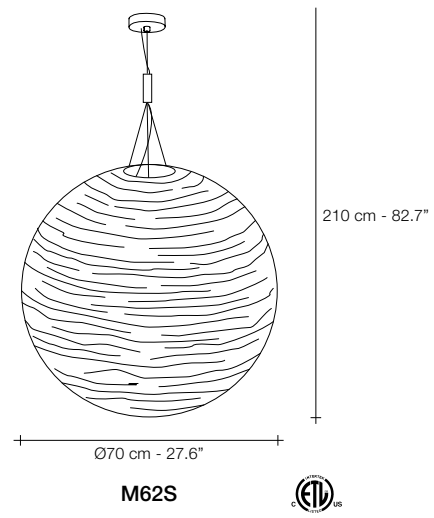
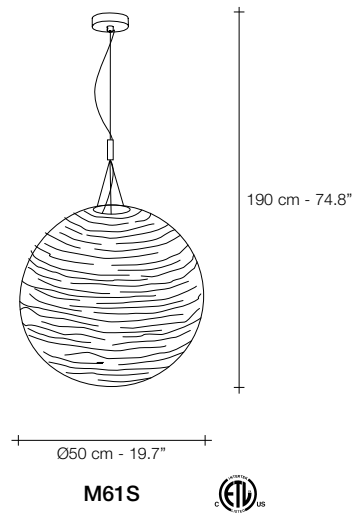
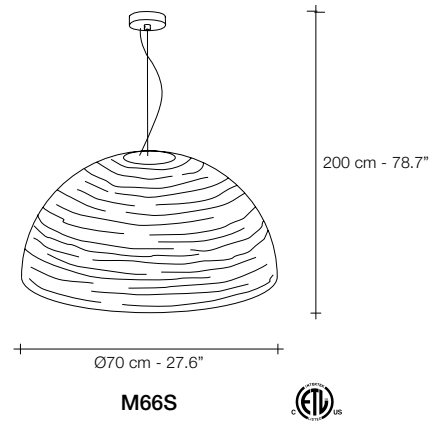
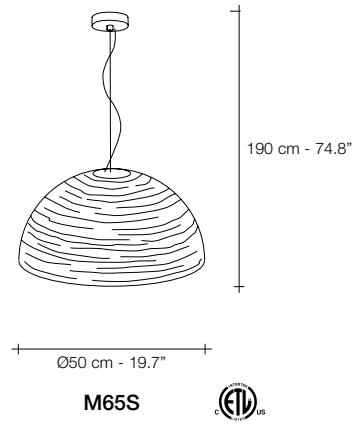
LIGHT SOURCE		N16S	N17L	LIGHT SOURCE OPTIONS		N18A
230V	 E14 LED	3x4W	3x4W	 R7s HALOGEN	48W	1025 lm
	 Replaceable LED module 3000K					
	Dimmable	✓	✓	Dimmable	IGBT	
120V	 E12 LED	3x4W	3x4W	 R7s HALOGEN	70W	
	 Replaceable LED module 3000K					Dimmable
	Dimmable	✓	✓	Dimmable		



Magdalena, Cutting edge *Beauty.*

Reaching inside traditional forms, Magdalena's laser-cut, horizontal openings allow for its light to expand its range to the entire room. Creating an alluring pattern of light and shadow, Magdalena highlights the shape of the room itself. This unique exchange creates a pendant that impacts every space, regardless of size. Design Bruno Rainaldi.





WHITE



SEMIPOLISHED
NICKEL PLATED



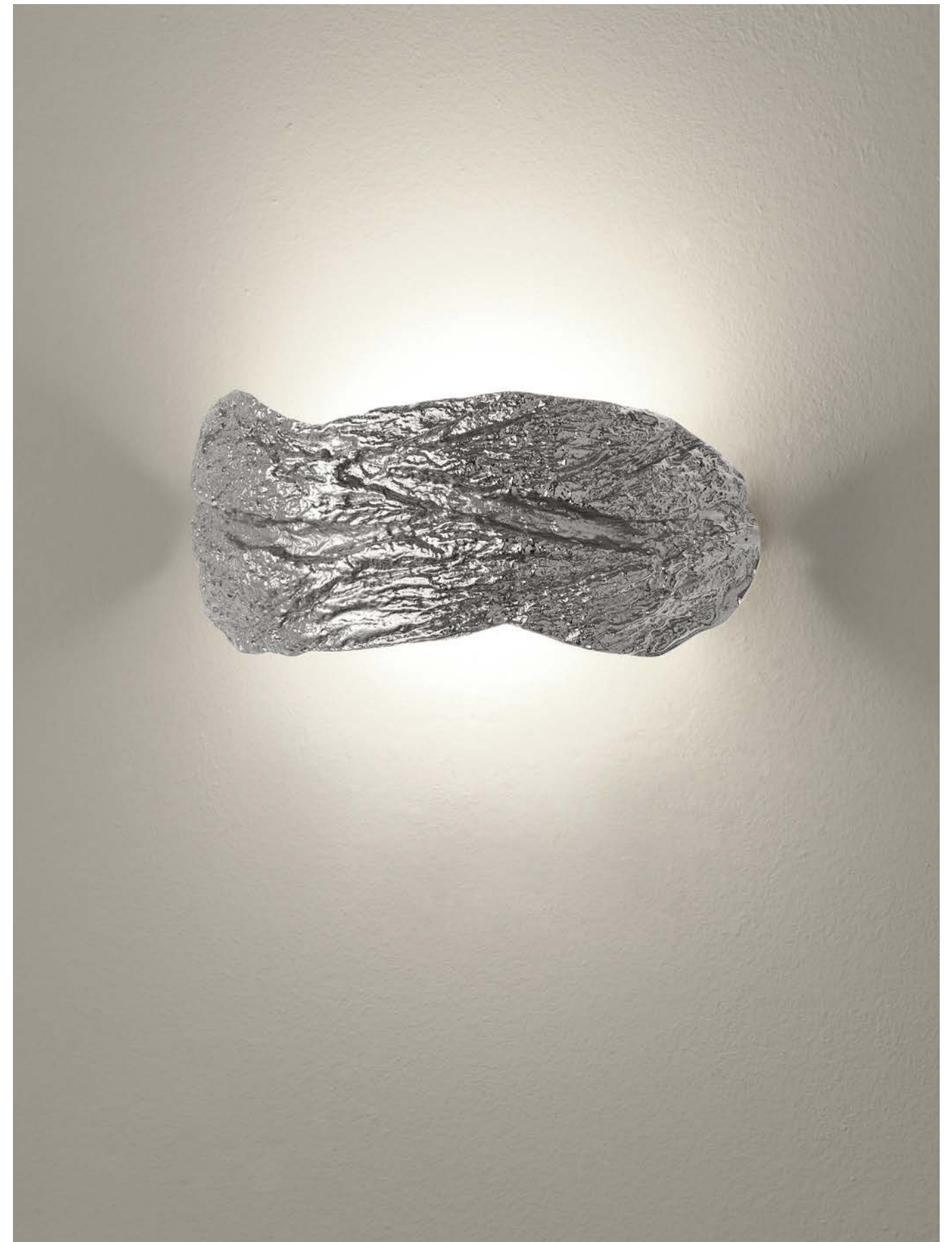
GOLD LEAF

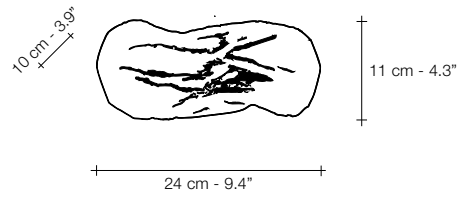
		LIGHT SOURCE		M65S	M66S			LIGHT SOURCE		M61S	M62S
230V		E27 LED	globe	15W	15W	Dimmable		<input checked="" type="checkbox"/>	<input checked="" type="checkbox"/>	15W	15W
120V		E26 LED	globe	15W	15W	Dimmable		<input checked="" type="checkbox"/>	<input checked="" type="checkbox"/>	15W	15W



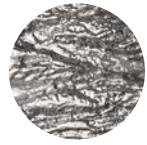
Wabi, Understated *Elegance.*

Influenced by the rustic simplicity of the mulberry tree, Nicolas Terzani set out to create a piece that delivered the same quiet, harmonious elegance. Thus, Wabi, available in gold-plated or silver-plated finish, which recalls the serenity and balance of its natural inspiration. The texture of Wabi harnesses the anomalies of a cortex, resulting in a unique and classic light. Design Nicolas Terzani.

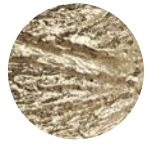




N74A



NICKEL
PLATED



GOLD
PLATED

LIGHT SOURCE		N74A
230V	R7s HALOGEN	48W
	Dimmable	✓
120V	R7s HALOGEN	70W
	Dimmable	✓

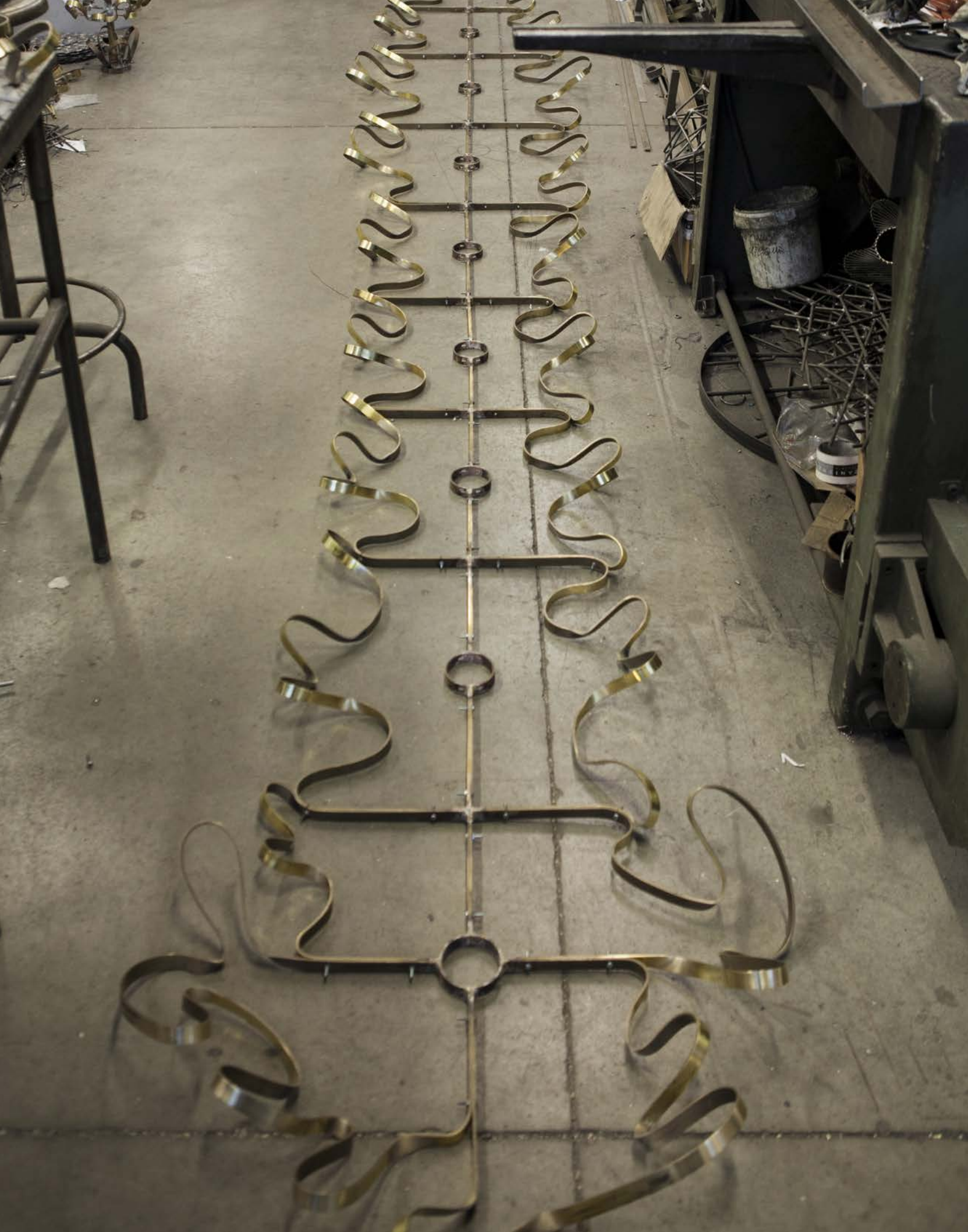


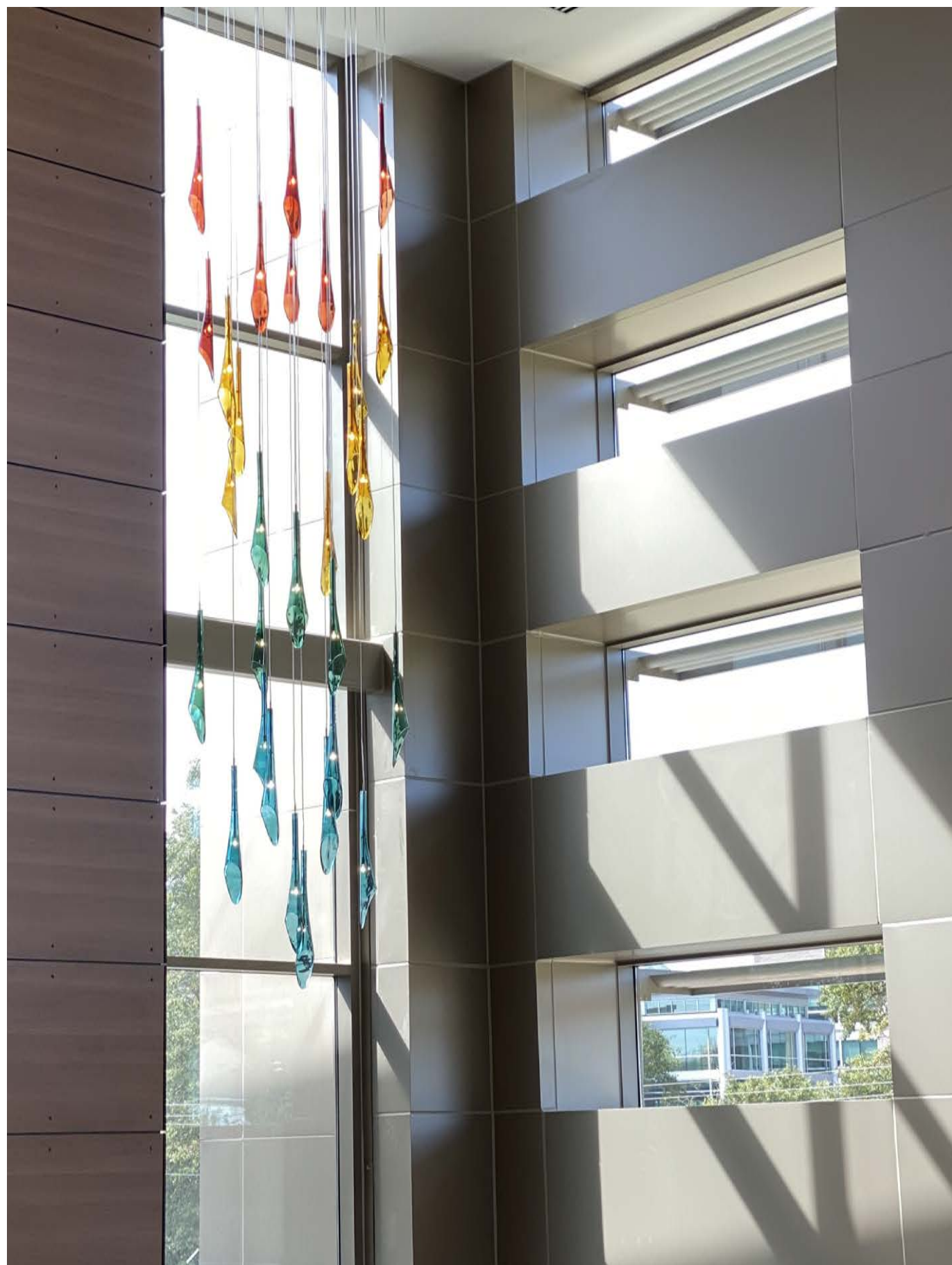


Be- spoke

Work with Terzani design team to bring to life your idea. From simple modification to more complex design changes.







Since the beginning, Terzani has always viewed esthetics as a way of interpreting natural and artistic beauty. Born in 1972 in Florence - Italy, the cradle of the Renaissance, the company was compelled to follow the creative invocations of the city. The word "esthetics" originates from the greek "aisthesis" which means "feeling" or, more precisely, knowledge created by the use of one's senses. When you look at a Terzani design, you can sense how its light enchantingly envelops the surrounding space. It's more than simply a practical, utilitarian design it's an esthetic that represents a modern and artistic beauty through the use of design and innovative technologies.

Intersection of art, luxury and design

Terzani creations are always inspired by the dialogue between the company and the designers themselves. The pieces are born from a compelling feeling Nicolas articulates to his designers. This inspiration can be a shape that exists in nature, as you can see with the fish that inspired "I Lucci Argentati", or the stones/drops of water that inspired "Mizu", or a material or working method that attracts his attention. With the team of designers that work with the company, a project will be executed with all the necessary technical diligence, but the starting point that defines any Terzani light is always a feeling.

To create a style like what we at Terzani have established, you need to balance several characteristics. Terzani is elegant and sophisticated, innovative yet original. It uses the latest technology, but also incorporates fine materials crafted in a very artisan way. Each lamp is an object/sculpture that is meant to be fully integrated into its surroundings, spreading a charming and enchanting play of light. This creates an ever-changing dialogue between the lamp and the space around it. The feeling that Terzani exudes is one of harmony and togetherness. Its products are grounded in the human process, transmitting the handmade artisan traditions of lovingly crafting objects piece by piece. This is the essence of Terzani, which sees beauty in the contemporary world, tradition and the search for new forms and languages. Terzani continues to redefine the way luxury lighting is designed and produced. Through experimentation with new production methods and forward-thinking ideas, it has become known for designs that use sculpture, light, shadow and motion to reshape spaces.

These handmade products sit at the intersection of art, luxury and design. Following Terzani's artisan tradition, each "lighting sculpture" continues to incorporate traditional methods of processing glass and metal, along with giving individual attention to the every detail.

These designs are brought forth through the dialogue between Terzani and some of the world's most renowned designers. Terzani is proud to work with such talented artists as Dodo Arlsan, Barlas Baylar, Jean Francois Crochet, Nicolas Terzani, Nigel Coates, Maurizio Galante, Christian Lava, Studio 14, Draw, Simone Micheli, Franziska Hinze, Stefano Papi & Saviz Yaghmai, and others, to create the company's original style.

TERZANI
LA LUCE PENSATA

All products in the Terzani collections are inspired by a return to noble artisan traditions. Every object is carefully created using craft techniques and for this reason certain details may vary from product to product. These variations are not imperfections but characteristic peculiarities of the production process. Terzani reserves the right to modify its products in order to improve its features. Product reproduction on paper may result in a misrepresentation of some colors. For updated technical data please refer to our current price list or our website. For updates on e1 please visit our website or call our customer service. For e2 certification please refer to our current price list or our website. For information about Patent & Design Registration please visit: www.terzani.com/patents

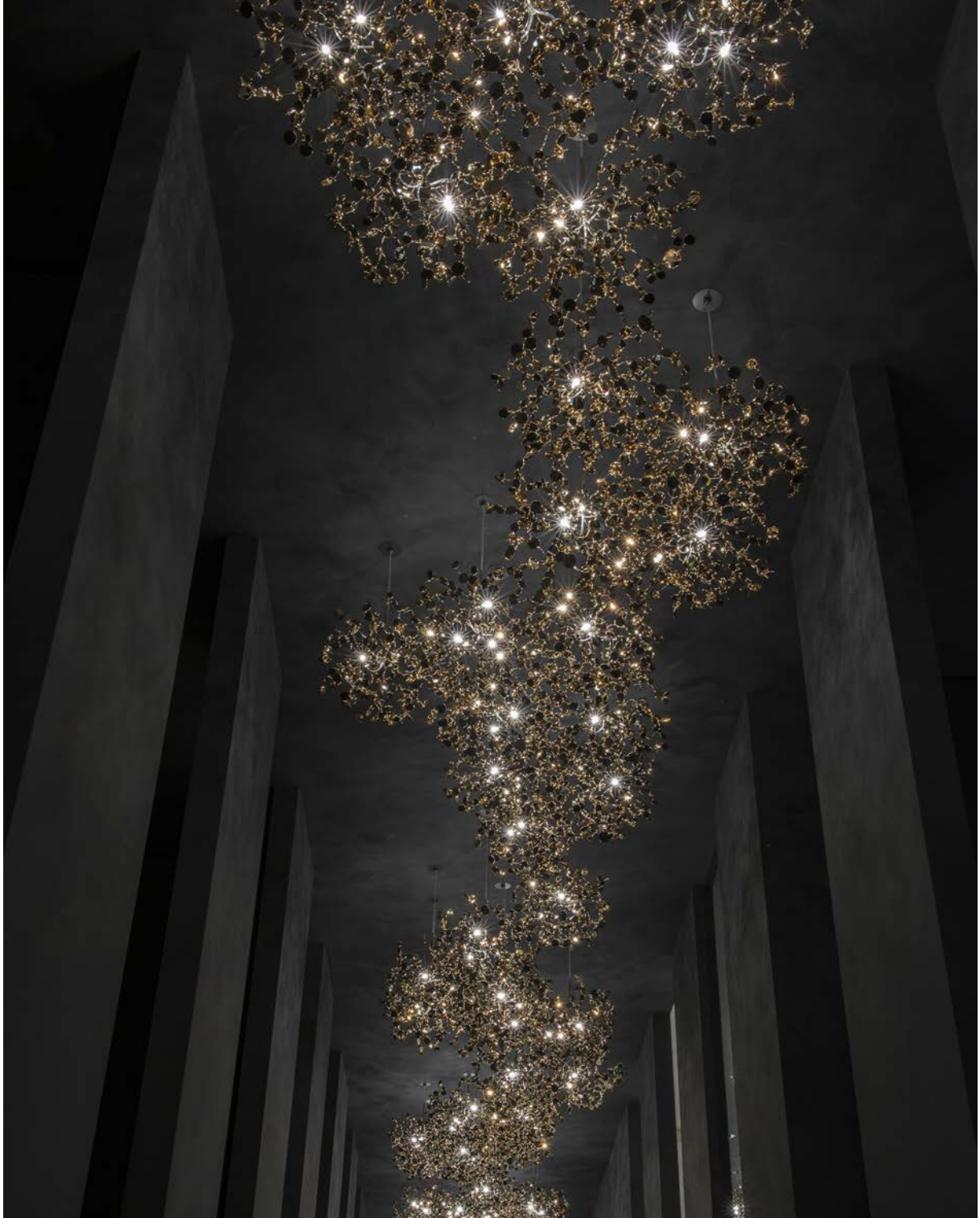
Creative Direction Terzani
Art Direction Camilla Cordella
Photos Leonardo Beglieri
Digital imaging Fulvio Gallotti
Printed on FSC eco-friendly paper
Eu (Italy) 2024
© **terzani** 2024

Headquarter & Showroom
Terzani srl
Via Castelpulci Int.9
50018 Scandicci Firenze Italy
Office +39 055 722021
info@terzani.com

Headquarter USA & Showroom
Terzani USA, Inc.
2501 SW 56th Ave
Pembroke Park FL 33023
Office 954 438 7779
Toll free 1 866 380 5412
info@terzaniusa.com

terzanishop.com
terzanishop.us
terzani.com





TERZANI
LA LUCE PENSATA

terzani.com